

## Five/Ten Output Clock Programmable Buffer

Check for Samples: [CDCE18005](#)

### FEATURES

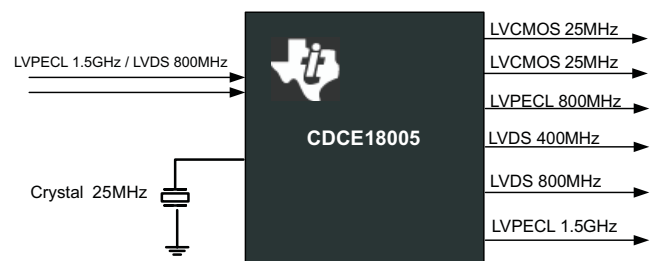
- Universal Input Buffers That Accept LVPECL, LVDS, or LVCMOS Level Signaling
- Fully Configurable Outputs Including Frequency, Output Format, and Output Skew
- Output Multiplexer That Serves as a Clock Switch Between the Three Reference Inputs and the Outputs
- Clock Generation Via AT-Cut Crystal
- Integrated EEPROM Determines Device Configuration at Power-up
- Low Additive Jitter Performance
- Universal Output Blocks Support up to 5 Differential, 10 Single-ended, or Combinations of Differential or Single-ended:
  - Low Additive Jitter
  - Output Frequency up to 1.5 GHz
  - LVPECL, LVDS, LVCMOS, and Special High Output Swing Modes
  - Independent Output Dividers Support Divide Ratios from 1–80
  - Independent limited Coarse Skew Control on all Outputs
- Flexible Inputs:
  - Two Universal Differential Inputs Accept Frequencies up to 1500 MHz (LVPECL), 800 MHz (LVDS), or 250 MHz (LVCMOS).
  - One Auxiliary Input Accepts Crystal. Auxiliary Input Accepts Crystals in the Range of 2 MHz–42 MHz
  - Clock Generator Mode Using Crystal Input.
- Typical Power Consumption 1W at 3.3V (see [Table 28](#))
- Offered in QFN-48 Package
- ESD Protection Exceeds 2kV HBM
- Industrial Temperature Range –40°C to 85°C

### APPLICATIONS

- Data Converter and Data Aggregation Clocking
- Wireless Infrastructure
- Switches and Routers
- Medical Electronics
- Military and Aerospace
- Industrial
- Clock Fan-out

### DESCRIPTION

The CDCE18005 is a high performance clock distributor featuring a high degree of configurability via a SPI interface, and programmable start up modes determined by on-chip EEPROM. Specifically tailored for buffering clocks for data converters and high-speed digital signals, the CDCE18005 achieves low additive jitter in the 50 fs RMS <sup>(1)</sup> range. The clock distribution block includes five individually programmable outputs that can be configured to provide different combinations of output formats (LVPECL, LVDS, LVCMOS). Each output can also be programmed to a unique output frequency (up to 1.5 GHz <sup>(2)</sup>) and skew relationship via a programmable delay block. If all outputs are configured in single-ended mode (e.g. LVCMOS), the CDCE18005 supports up to ten outputs. Each output can select one of three clock input sources. The input block includes two universal differential inputs which support frequencies up to 1500 MHz and an auxiliary input that can be configured to connect to a crystal via an on chip oscillator block.



**Figure 1. CDCE18005 Application Example**

(1) 12 kHz to 20 MHz integration bandwidth.

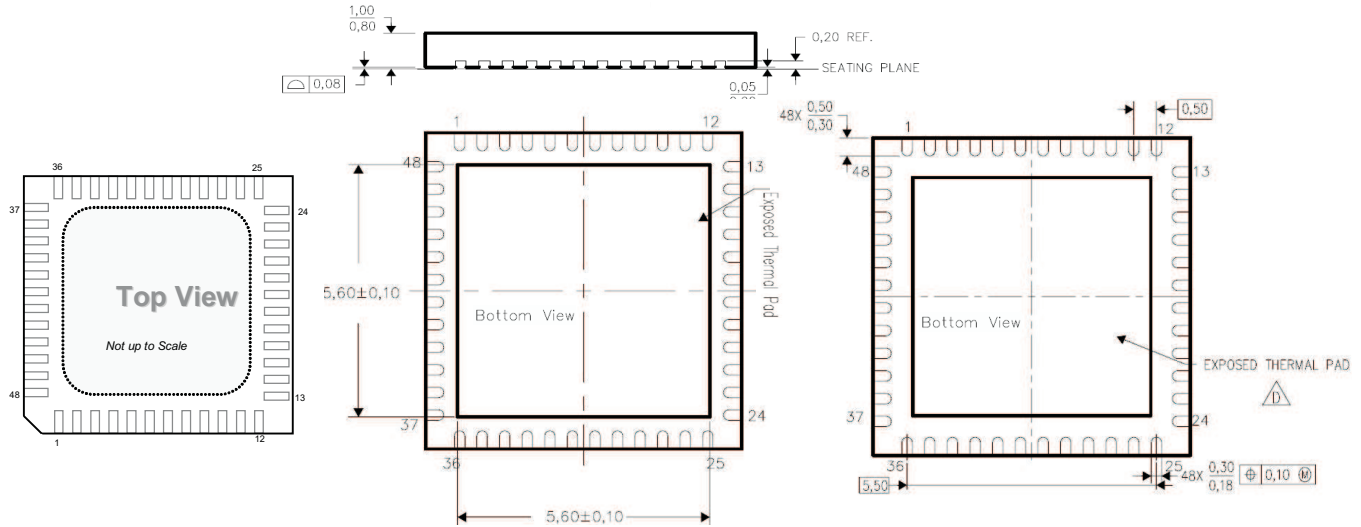
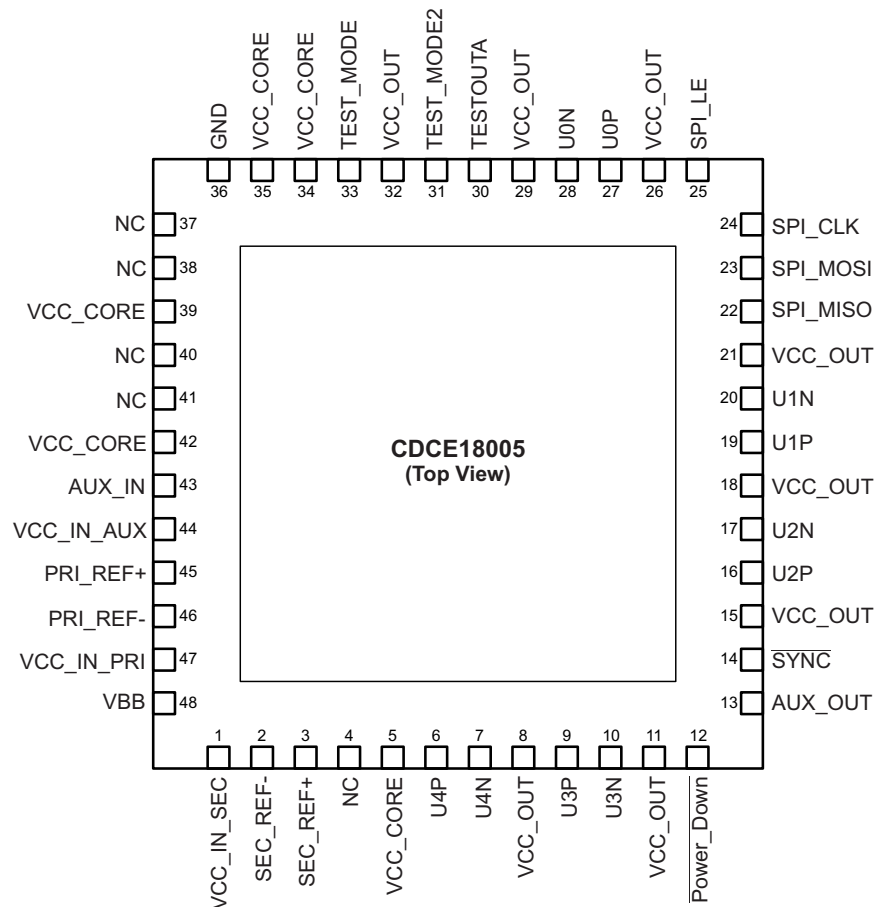
(2) Maximum output frequency depends on the output format selected



Please be aware that an important notice concerning availability, standard warranty, and use in critical applications of Texas Instruments semiconductor products and disclaimers thereto appears at the end of this data sheet.

**DEVICE INFORMATION**
**PACKAGE**

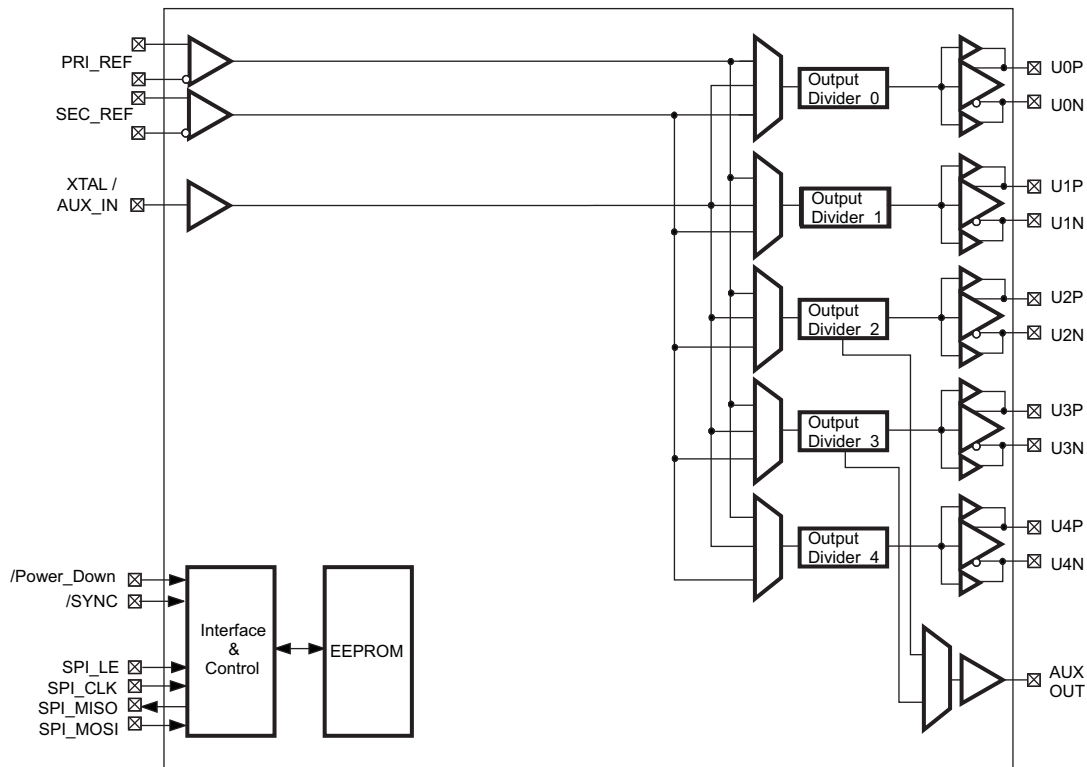
The CDCE18005 is packaged in a 48-Pin Plastic Quad Flatpack Package with enhanced bottom thermal pad for heat dissipation. The Texas Instruments Package Designator is: **RGZ (S-PQFP-N48)**


**Figure 2. 48-Pin QFN Package Outline**


**PIN FUNCTIONS<sup>(1)</sup>**

PIN		TYPE	DESCRIPTION
NAME	QFN		
VCC_OUT	8, 11, 15, 18, 21, 26, 29, 32	Power	3.3V Supply for the Output Buffers
VCC_CORE	5, 39, 42, 34, 35	Power	3.3V Core Voltage Circuitry
VCC_IN_PRI	47	A. Power	3.3V References Input Buffer and Circuitry Supply Voltage.
VCC_IN_SEC	1	A. Power	3.3V References Input Buffer and Circuitry Supply Voltage.
VCC_IN_AUX	44	A. Power	3.3V Crystal Oscillator Input Circuitry.
GND	36	Ground	Ground (All internal Ground Pins are connected to the PAD)
GND	PAD	Ground	Ground is on Thermal PAD. See Layout recommendation
SPI_MISO	22	O	3-state LVCMOS Output that is enabled when SPI_LE is asserted low. It is the serial Data Output to the SPI bus interface
SPI_LE	25	I	LVCMOS input, control Latch Enable for Serial Programmable Interface (SPI), with Hysteresis in SPI Mode. The input has an internal 150-kΩ pull-up resistor if left unconnected it will default to logic level "1". The SPI_LE status also impacts whether the device loads the EEPROM into the device registers at power up. SPI_LE has to be logic "0" before the Power_Down# toggles low-to-high in order for the EEPROM to load properly.
SPI_CLK	24	I	LVCMOS input, serial Control Clock Input for the SPI bus interface, with Hysteresis. The input has an internal 150-kΩ pull-up resistor if left unconnected it will default to logic level "1".
SPI_MOSI	23	I	LVCMOS input, Master Out Slave In as a serial Control Data Input to <b>CDCE18005</b> for the SPI bus interface. The input has an internal 150-kΩ pull-up resistor if left unconnected it will default to logic level "1".
TEST_MODE	33	I	Pull High or leave unconnected
TEST_MODE2	31	I	Pull High or leave unconnected
Power_Down	12	I	Active Low. Power down mode can be activated via this pin. See <a href="#">Table 14</a> for more details. The input has an internal 150-kΩ pull-up resistor if left unconnected it will default to logic level "1". SPI_LE has to be HIGH in order for the rising edge of Power_Down signal to load the EEPROM.
SYNC	14	I	Active Low. Sync mode can be activated via this pin. See <a href="#">Table 14</a> for more details. The input has an internal 150-kΩ, pull-up resistor if left unconnected it will default to logic level "1".
AUX_IN	43	I	Auxiliary Input is a single ended input including an on-board oscillator circuit so that a crystal may be connected.
AUX_OUT	13	O	Auxiliary Output LVCMOS level that can be programmed via SPI interface to be driven by Output 2 or Output 3.
PRI_REF+	45	I	Universal Input Buffer (LVPECL, LVDS, LVCMOS) positive input for the Primary Reference Clock,
PRI_REF-	46	I	Universal Input Buffer (LVPECL, LVDS) negative input for the Primary Reference Clock. In case of LVCMOS signaling Ground this pin through 1kΩ resistor.
SEC_REF+	3	I	Universal Input Buffer (LVPECL, LVDS, LVCMOS) positive input for the Secondary Reference Clock,
SEC_REF-	2	I	Universal Input Buffer (LVPECL, LVDS,) negative input for the Secondary Reference Clock. In case of LVCMOS signaling Ground this pin through 1kΩ resistor.
TESTOUTA	30	Analog	Analog Test Point for Use for TI Internal Testing. Pull Down to GND Via a 1kΩ Resistor.
NC	4, 37, 38, 40, 41		This Pin is not used
VBB	48	Analog	Capacitor for the internal termination viltage. Connect to a 1μF Capacitor.
U0P:U0N U1P:U1N: U2P:U2N U3P:U3N U4P:U4N	27, 28 19, 20 16,17 9, 10 6, 7	O	The Main outputs of <b>CDCE18005</b> are user definable and can be any combination of up to 5 LVPECL outputs, 5 LVDS outputs or up to 10 LVCMOS outputs. The outputs are selectable via SPI interface. The power-up setting is EEPROM configurable.

(1) The internal memory (EEPROM and RAM) are sourced from various power pins. All VCC connections must be powered for proper functionality of the device.

**FUNCTIONAL DESCRIPTION**

**Figure 3. CDCE18005 Block Diagram**

The CDCE18005 comprises three primary blocks: the interface and control block, the input block and the output block. In order to determine which settings are appropriate for any specific combination of input/output frequencies, a basic understanding of these blocks is required. The interface and control block determines the state of the CDCE18005 at power-up based on the contents of the on-chip EEPROM. In addition to the EEPROM, the SPI port is available to configure the CDCE18005 by writing directly to the device registers after power-up. The input block buffers three clock signals, converts them to differential signals, and drives them onto an internal clock distribution bus. The output block provides five separate clock channels that are fully programmable and configurable to select and condition one of four internal clock sources

**NOTE**

This Section of the data sheet provides a high-level description of the features of the CDCE18005 for purpose of understanding its capabilities. For a complete description of device registers and I/O, please refer to the Device Configuration Section.

## Interface and Control Block

The CDCE18005 is a highly flexible and configurable architecture and as such contains a number of registers so that the user may specify device operation. The contents of nine 28-bit wide registers implemented in static RAM determine device configuration at all times. The CDCE18005 implements the SPI Interface Mode. SPI Interface Mode is used to access the device RAM and EEPROM either during normal operation (if the host system provides a native SPI interface) or during device configuration (i.e. device programming). During power up the EEPROM content gets copied into the registers after the detection of a valid device power-up. The EEPROM can be locked enabling the designer to implement a fault tolerant design.

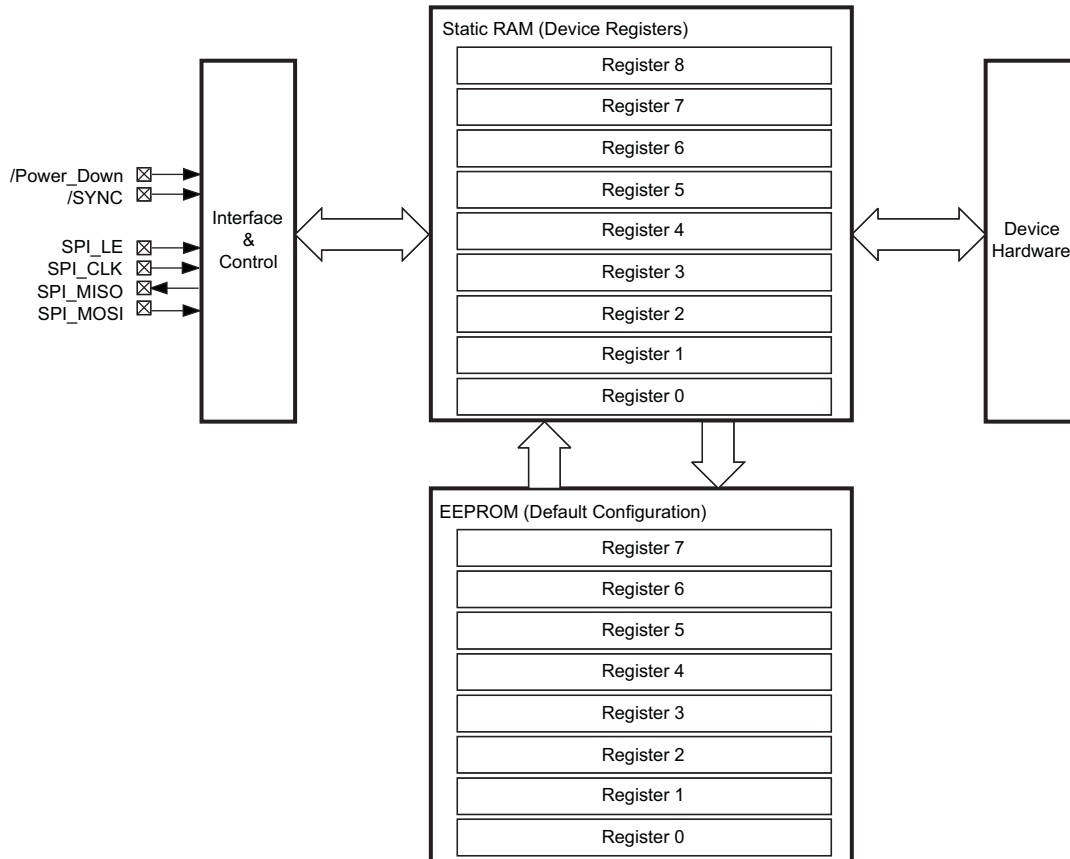


Figure 4. CDCE18005 Interface and Control Block

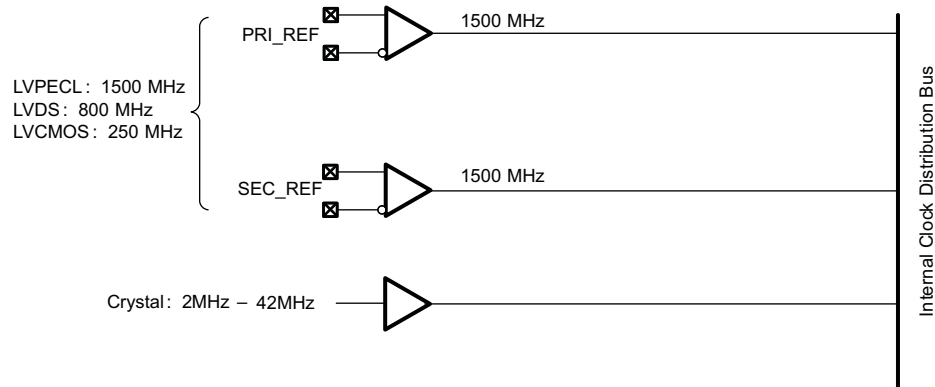
# CDCE18005

SCAS863B –NOVEMBER 2008 –REVISED NOVEMBER 2012

[www.ti.com](http://www.ti.com)

## Input Block

The Input Block includes a pair of Universal Input Buffers and an Auxiliary Input. The Input Block buffers the incoming signals and facilitates signal routing to the Internal Clock Distribution bus. The Internal Clock Distribution Bus connects to all output blocks discussed in the next section. Therefore, a clock signal present on the Internal Clock Distribution bus can appear on any or all of the device outputs.



**Figure 5. CDCE18005 Input Block**

## Output Block

Each of the five identical output blocks incorporates an output multiplexer, a clock divider module, and a universal output array as shown.

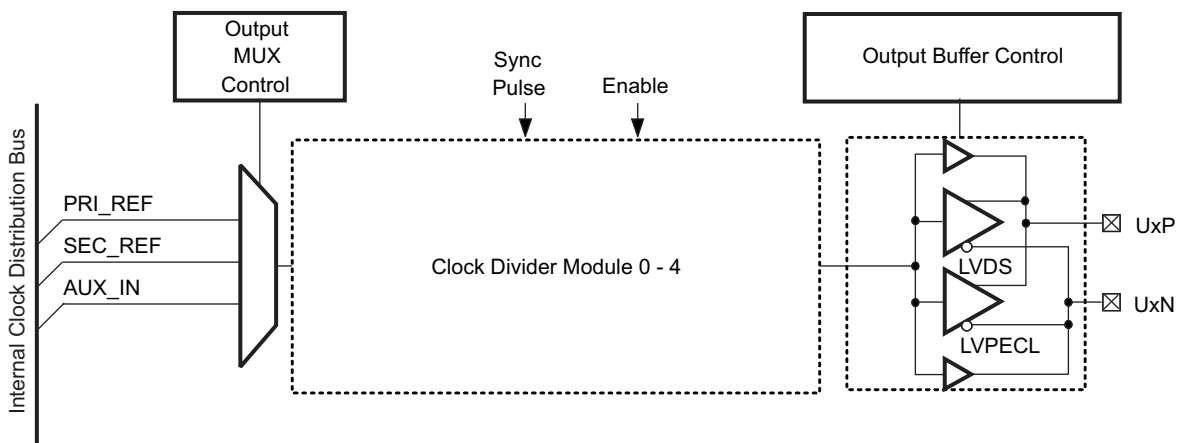


Figure 6. CDCE18005 Output Block (1 of 5)

### Clock Divider Module 0–4

The following shows a simplified version of a Clock Divider Module (CDM). If an individual clock output channel is not used, then the user should disable the CDM and Output Buffer for the unused channel to save device power. Each channel includes two 7-bit registers to control the divide ratio used and the clock phase for each output.

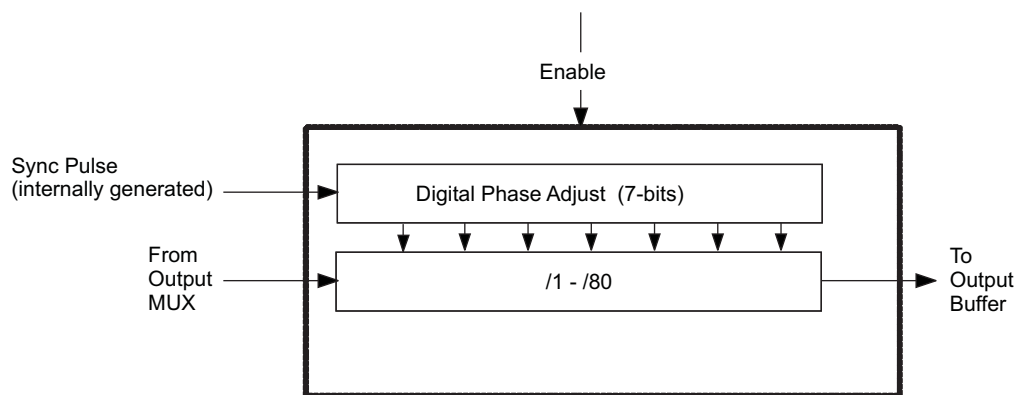


Figure 7. CDCE18005 Output Divider Module (1 of 5)

# CDCE18005

SCAS863B –NOVEMBER 2008 –REVISED NOVEMBER 2012

[www.ti.com](http://www.ti.com)

## ABSOLUTE MAXIMUM RATINGS

 over operating free-air temperature range (unless otherwise noted)<sup>(1)</sup>

		VALUE	UNIT
V <sub>CC</sub>	Supply voltage range <sup>(2)</sup>	-0.5 to 4.6	V
V <sub>I</sub>	Input voltage range <sup>(3)</sup>	-0.5 to V <sub>CC</sub> + 0.5	V
V <sub>O</sub>	Output voltage range <sup>(3)</sup>	-0.5 to V <sub>CC</sub> + 0.5	V
	Input Current (V <sub>I</sub> < 0, V <sub>I</sub> > V <sub>CC</sub> )	±20	mA
	Output current for LVPECL/LVCMOS Outputs (0 < V <sub>O</sub> < V <sub>CC</sub> )	±50	mA
T <sub>J</sub>	Maximum junction temperature	125	°C
T <sub>stg</sub>	Storage temperature range	-65 to 150	°C

- (1) Stresses beyond those listed under *absolute maximum ratings* may cause permanent damage to the device. These are stress ratings only and functional operation of the device at these or any other conditions beyond those indicated *under recommended operating conditions* is not implied. Exposure to absolute–maximum–rated conditions for extended periods may affect device reliability.
- (2) All supply voltages have to be supplied simultaneously.
- (3) The input and output negative voltage ratings may be exceeded if the input and output clamp–current ratings are observed.

## THERMAL CHARACTERISTICS

 Package Thermal Resistance for QFN (RGZ) Package <sup>(1)</sup> <sup>(2)</sup>

AIRFLOW (LFM)		θ <sub>JP</sub> (°C/W) <sup>(3)</sup>	θ <sub>JA</sub> (°C/W)
0	JEDEC Compliant Board (6X6 VIAs on PAD)	2	28.9
100	JEDEC Compliant Board (6X6 VIAs on PAD)	2	20.4
0	Recommended Layout (7X7 VIAs on PAD)	2	27.3
100	Recommended Layout (7X7 VIAs on PAD)	2	20.3

- (1) The package thermal impedance is calculated in accordance with JESD 51 and JEDEC2S2P (high-k board).
- (2) Connected to GND with 36 thermal vias (0,3 mm diameter).
- (3) θ<sub>JP</sub> (Junction – Pad) is used for the QFN Package, because the main heat flow is from the Junction to the GND-Pad of the QFN.



**ELECTRICAL CHARACTERISTICS OPERATING CONDITIONS**

 recommended operating conditions for the **CDCE18005** device for under the specified Industrial temperature range of  $-40^{\circ}\text{C}$  to  $85^{\circ}\text{C}$ 

PARAMETER		TEST CONDITIONS	MIN	TYP	MAX	UNIT
<b>POWER SUPPLY</b>						
$V_{CC}$	Supply voltage		3	3.3	3.6	V
$V_{CC\_IN}$ , $V_{Core}$	Analog supply voltage		3	3.3	3.6	
$P_{LVPECL}$	REF at 491.52 MHz, Outputs are LVPECL	Output 1 = 491.52 MHz (LVCMOS = 245 MHz) Output 2 = 245.76 MHz Output 3 = 122.88 MHz Output 4 = 61.44 MHz Output 5 = 30.72 MHz		1.6		W
$P_{LVDS}$	REF at 491.52 MHz, Outputs are LVDS			1.3		W
$P_{LVCMOS}$	REF at 491.52 MHz, Outputs are LVCMOS			1.5		W
$P_{OFF}$	REF at 491.52 MHz	Dividers are disabled. Outputs are disabled.		0.45		W
$P_{PD}$		Device is powered down		20		mW
<b>DIFFERENTIAL INPUT MODE (PRI_REF, SEC_REF)</b>						
$V_{IN}$	Differential input amplitude ( $V_{IN} - V_{\overline{IN}}$ )		0.1		1.3	V
$V_{IC}$	Common-mode input voltage		1.0		$V_{CC}-0.3$	V
$I_{IH}$	Differential input current high (no internal termination)	$V_I = V_{CC}$ , $V_{CC} = 3.6\text{ V}$			20	$\mu\text{A}$
$I_{IL}$	Differential input current low (no internal termination)	$V_I = 0\text{ V}$ , $V_{CC} = 3.6\text{ V}$	-20		20	$\mu\text{A}$
	Input Capacitance on PRI_REF, SEC_REF			3		pF
<b>CRYSTAL INPUT SPECIFICATIONS</b>						
	On-chip load capacitance			8	10	pF
	Equivalent series resistance (ESR)				50	$\Omega$
<b>LVCMOS INPUT MODE (SPI_CLK, SPI_MOSI, SPI_LE, <u>Power_Down</u>, <u>SYNC</u>, PRI_REF, SEC_REF)</b>						
	Low-level input voltage LVCMOS,		0		$0.3 V_{CC}$	V
	High-level input voltage LVCMOS		$0.7 V_{CC}$		$V_{CC}$	V
$V_{IK}$	LVCMOS input clamp voltage	$V_{CC} = 3\text{ V}$ , $I_I = -18\text{ mA}$			-1.2	V
$I_{IH}$	LVCMOS input current	$V_I = V_{CC}$ , $V_{CC} = 3.6\text{ V}$				$\mu\text{A}$
$I_{IL}$	LVCMOS input (Except PRI_REF and SEC_REF)	$V_I = 0\text{ V}$ , $V_{CC} = 3.6\text{ V}$	-10		-40	$\mu\text{A}$
$I_{IL}$	LVCMOS input (PRI_REF and SEC_REF)	$V_I = 0\text{ V}$ , $V_{CC} = 3.6\text{ V}$	-10		10	$\mu\text{A}$
$C_I$	Input capacitance (LVCMOS signals)	$V_I = 0\text{ V}$ or $V_{CC}$		3		pF

# CDCE18005

SCAS863B –NOVEMBER 2008 –REVISED NOVEMBER 2012

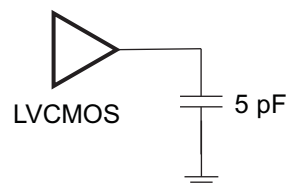
www.ti.com

## ELECTRICAL CHARACTERISTICS OPERATING CONDITIONS (Continued)

recommended operating conditions for the **CDCE18005** device for under the specified Industrial temperature range of  $-40^{\circ}\text{C}$  to  $85^{\circ}\text{C}$

PARAMETER		TEST CONDITIONS		MIN	TYP <sup>(1)</sup>	MAX	UNIT
<b>SPI OUTPUT (MISO)</b>							
$I_{OH}$	High-level output current	$V_{CC} = 3.3\text{ V}$ ,	$V_O = 1.65\text{ V}$		-30		mA
$I_{OL}$	Low-level output current	$V_{CC} = 3.3\text{ V}$ ,	$V_O = 1.65\text{ V}$		33		mA
$V_{OH}$	High-level output voltage for LVCMOS outputs	$V_{CC} = 3\text{ V}$ ,	$I_{OH} = -100\ \mu\text{A}$	$V_{CC}-0.5$			V
$V_{OL}$	Low-level output voltage for LVCMOS outputs	$V_{CC} = 3\text{ V}$ ,	$I_{OL} = 100\ \mu\text{A}$			0.3	V
$C_O$	Output capacitance on MISO	$V_{CC} = 3.3\text{ V}$ ; $V_O = 0\text{ V}$ or $V_{CC}$			3		pF
$I_{OZH}$	3-state output current	$V_O = V_{CC}$ , $V_O = 0\text{ V}$			5		$\mu\text{A}$
$I_{OZL}$					-5		
<b>VBB</b>							
VBB	Termination voltage for reference inputs.	$I_{BB} = -0.2\text{ mA}$ , Depending on the setting.		0.9		1.9	V
<b>INPUT BUFFERS INTERNAL TERMINATION RESISTORS (PRI_REF and SEC_REF)</b>							
Termination resistance		Single ended			50		$\Omega$
<b>LVC MOS OUTPUT / AUXILIARY OUTPUT</b>							
$f_{clk}$	Output frequency, see Figure Below	Load = 5 pF to GND				250	MHz
$V_{OH}$	High-level output voltage for LVCMOS outputs	$V_{CC} = \text{min to max}$	$I_{OH} = -100\ \mu\text{A}$	$V_{CC} - 0.5$			
$V_{OL}$	Low-level output voltage for LVCMOS outputs	$V_{CC} = \text{min to max}$	$I_{OL} = 100\ \mu\text{A}$			0.3	V
$I_{OH}$	High-level output current	$V_{CC} = 3.3\text{ V}$	$V_O = 1.65\text{ V}$		-30		mA
$I_{OL}$	Low-level output current	$V_{CC} = 3.3\text{ V}$	$V_O = 1.65\text{ V}$		33		mA
$t_{pd(LH)}/t_{pd(HL)}$	Propagation delay from PRI_REF or SEC_REF to Outputs (LVCMOS to LVCMOS)	$V_{CC}/2$ to $V_{CC}/2$			4		ns
$t_{sk(o)}$	Skew, output to output For Y0 to Y4	All Outputs set at 200 MHz, Reference = 200 MHz			75		ps
$C_O$	Output capacitance on Y0 to Y4	$V_{CC} = 3.3\text{ V}$ ; $V_O = 0\text{ V}$ or $V_{CC}$			5		pF
$I_{OZH}$	3-State LVCMOS output current	$V_O = V_{CC}$			5		$\mu\text{A}$
$I_{OZL}$		$V_O = 0\text{ V}$			-5		$\mu\text{A}$
$I_{OPDH}$	Power Down output current	$V_O = V_{CC}$			25		$\mu\text{A}$
$I_{OPDL}$		$V_O = 0\text{ V}$			5		$\mu\text{A}$
Duty cycle LVCMOS		50% / 50% input duty cycle		45%		55%	
$t_{slew-rate}$	Output rise/fall slew rate			3.6	5.2		V/ns

(1) All typical values are at  $V_{CC} = 3.3\text{ V}$ , temperature =  $25^{\circ}\text{C}$



**ELECTRICAL CHARACTERISTICS OPERATING CONDITIONS (Continued)**

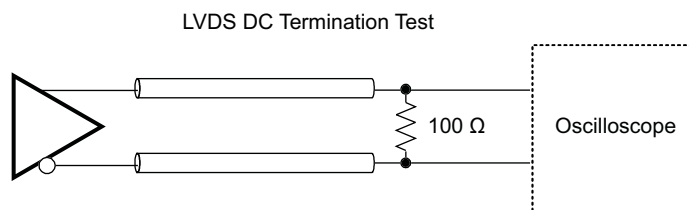
 recommended operating conditions for the **CDCE18005** device for under the specified Industrial temperature range of  $-40^{\circ}\text{C}$  to  $85^{\circ}\text{C}$ 

PARAMETER		TEST CONDITIONS	MIN	TYP <sup>(1)</sup>	MAX	UNIT
<b>LVDS OUTPUT</b>						
$f_{\text{clk}}$	Output frequency	Configuration Load (100 $\Omega$ )			800	MHz
$ V_{\text{OD}} $	Differential output voltage	$R_L = 100 \Omega$	270		550	mV
$\Delta V_{\text{OD}}$	LVDS VOD magnitude change				50	mV
$V_{\text{OS}}$	Offset Voltage	$-40^{\circ}\text{C}$ to $85^{\circ}\text{C}$		1.24		V
$\Delta V_{\text{OS}}$	VOS magnitude change			40		mV
	Short circuit $V_{\text{out+}}$ to ground	$V_{\text{OUT}} = 0$			27	mA
	Short circuit $V_{\text{out-}}$ to ground	$V_{\text{OUT}} = 0$			27	mA
$t_{\text{pd(LH)}/t_{\text{pd(HL)}}$	Propagation delay from PRI_REF or SEC_REF to outputs (LVDS to LVDS)	Crosspoint to Crosspoint		3.1		ns
$t_{\text{sk(o)}}^{(2)}$	Skew, output to output For Y0 to Y4	All Outputs set at 200 MHz Reference = 200 MHz		25		ps
$C_{\text{O}}$	Output capacitance on Y0 to Y4	$V_{\text{CC}} = 3.3 \text{ V}$ ; $V_{\text{O}} = 0 \text{ V}$ or $V_{\text{CC}}$		5		pF
$I_{\text{OPDH}}$	Power down output current	$V_{\text{O}} = V_{\text{CC}}$			25	$\mu\text{A}$
$I_{\text{OPDL}}$	Power down output current	$V_{\text{O}} = 0 \text{ V}$			5	$\mu\text{A}$
	Duty cycle	50% / 50% input duty cycle	45%		55%	
$t_r / t_f$	Rise and fall time	20% to 80% of $V_{\text{OUT(PP)}}$	110	160	190	ps
<b>LVC MOS-TO-LVDS</b>						
$t_{\text{skP_c}}$	Output skew between LVC MOS and LVDS outputs <sup>(3)</sup>	Crosspoint to $V_{\text{CC}}/2$	0.9	1.4	1.9	ns

 (1) All typical values are at  $V_{\text{CC}} = 3.3 \text{ V}$ , temperature =  $25^{\circ}\text{C}$ 

 (2) The  $t_{\text{sk(o)}}$  specification is only valid for equal loading of all outputs.

(3) The phase of LVC MOS is lagging in reference to the phase of LVDS.



# CDCE18005

SCAS863B –NOVEMBER 2008 –REVISED NOVEMBER 2012

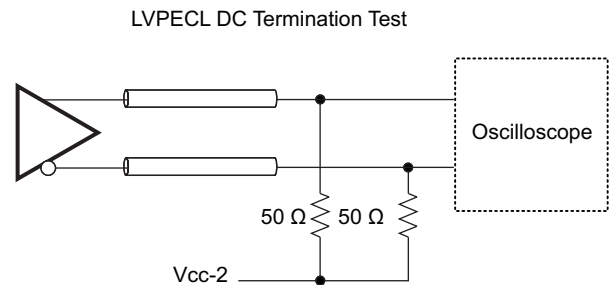
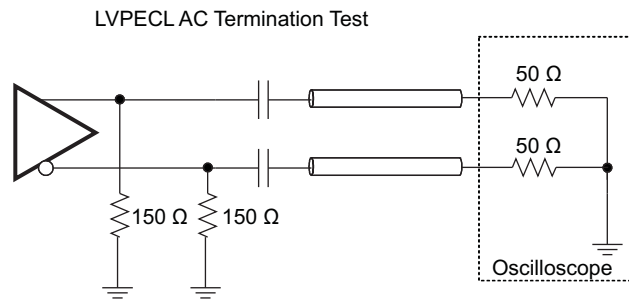
www.ti.com

## ELECTRICAL CHARACTERISTICS OPERATING CONDITIONS (Continued)

recommended operating conditions for the **CDCE18005** device for under the specified Industrial temperature range of  $-40^{\circ}\text{C}$  to  $85^{\circ}\text{C}$

PARAMETER		TEST CONDITIONS	MIN	TYP <sup>(1)</sup>	MAX	UNIT
<b>LVPECL OUTPUT</b>						
$f_{\text{clk}}$	Output frequency	Configuration load (Figures below)			1500	MHz
$V_{\text{OH}}$	LVPECL high-level output voltage load		$V_{\text{CC}} - 1.06$		$V_{\text{CC}} - 0.88$	V
$V_{\text{OL}}$	LVPECL low-level output voltage load		$V_{\text{CC}} - 2.02$		$V_{\text{CC}} - 1.58$	V
$ V_{\text{OD}} $	Differential output voltage		610		970	mV
$t_{\text{pd(LH)}}$ / $t_{\text{pd(HL)}}$	Propagation delay from PRI_REF or SEC_REF to outputs (LVPECL to LVPECL)	Crosspoint to Crosspoint		3.4		ns
$t_{\text{sk(o)}}$	Skew, output to output For Y0 to Y4	All Outputs set at 200 MHz Reference = 200MHz		25		ps
$C_{\text{O}}$	Output capacitance on Y0 to Y4	$V_{\text{CC}} = 3.3\text{ V}$ ; $V_{\text{O}} = 0\text{ V}$ or $V_{\text{CC}}$		5		pF
$I_{\text{OPDH}}$	Power Down output current	$V_{\text{O}} = V_{\text{CC}}$			25	$\mu\text{A}$
$I_{\text{OPDL}}$		$V_{\text{O}} = 0\text{ V}$			5	$\mu\text{A}$
	Duty Cycle	50% / 50% input duty cycle	45%		55%	
$t_{\text{r}} / t_{\text{f}}$	Rise and fall time	20% to 80% of $V_{\text{outpp}}$	55	75	135	ps
<b>LVDS-TO-LVPECL</b>						
$t_{\text{skP_C}}$	Output skew between LVDS and LVPECL outputs	Crosspoint to Crosspoint	0.9	1.1	1.3	ns
<b>LVCNOS-TO-LVPECL</b>						
$t_{\text{skP_C}}$	Output skew between LVCNOS and LVPECL outputs	$V_{\text{CC}}/2$ to crosspoint	-150	260	700	ps
<b>LVPECL HI-SWING OUTPUT</b>						
$V_{\text{OH}}$	LVPECL high-level output voltage load		$V_{\text{CC}} - 1.11$		$V_{\text{CC}} - 0.87$	V
$V_{\text{OL}}$	LVPECL low-level output voltage load		$V_{\text{CC}} - 2.06$		$V_{\text{CC}} - 1.73$	V
$ V_{\text{OD}} $	Differential output voltage		760		1160	mV
$t_{\text{r}} / t_{\text{f}}$	Rise and fall time	20% to 80% of $V_{\text{outpp}}$	55	75	135	ps

(1) All typical values are at  $V_{\text{CC}} = 3.3\text{ V}$ , temperature =  $25^{\circ}\text{C}$



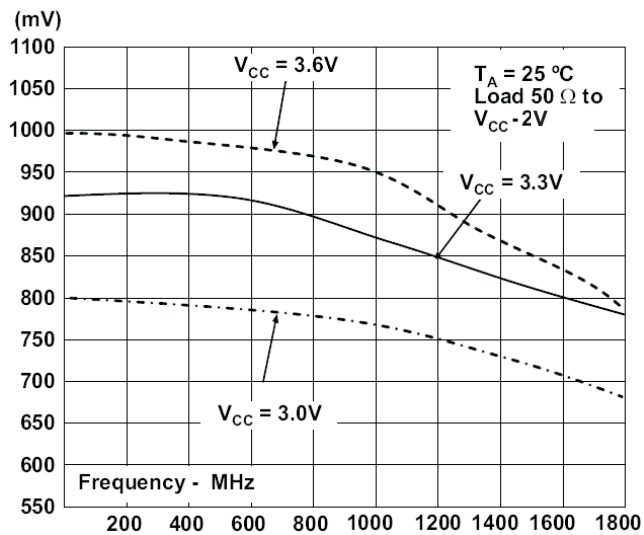


Figure 8. LVPECL Output Swing vs Frequency

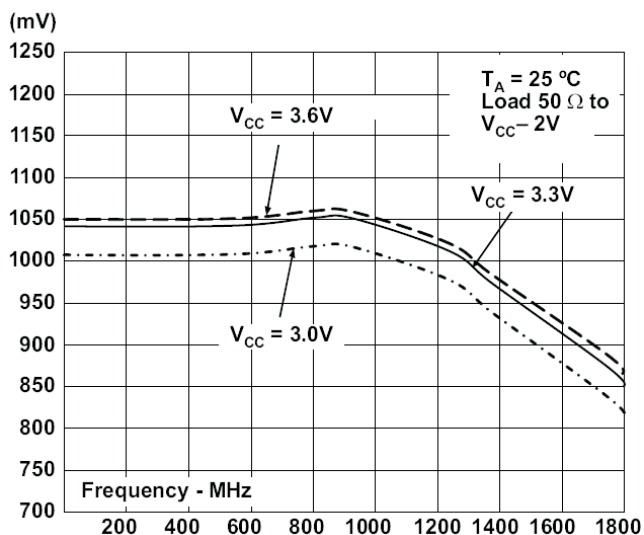


Figure 9. HI Swing LVPECL Output Swing vs Frequency

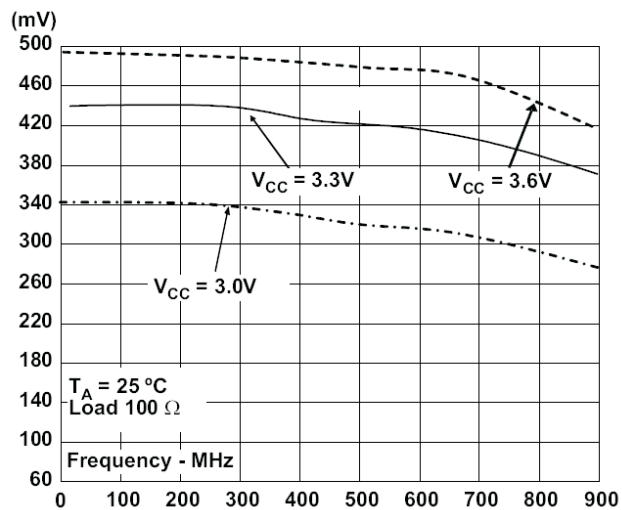


Figure 10. LVDS Output Swing vs Frequency

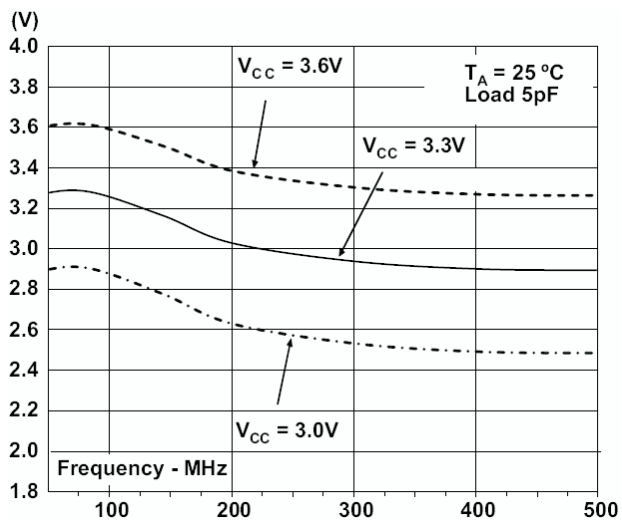


Figure 11. LVCMOS Output Swing vs Frequency

# CDCE18005

SCAS863B –NOVEMBER 2008 –REVISED NOVEMBER 2012

www.ti.com

## TIMING REQUIREMENTS

over recommended ranges of supply voltage, load and operating free air temperature (unless otherwise noted)

PARAMETER		MIN	TYP	MAX	UNIT
<b>PRI_REF/SEC_REF INPUT REQUIREMENTS</b>					
f <sub>max</sub>	For Single ended Inputs ( LVCMOS) on PRI_REF and SEC_REF			250	MHz
	For Differential Inputs on PRI_REF and SEC_REF			1500	MHz
<b>AUX_IN Input REQUIREMENTS</b>					
f <sub>REF</sub>	AT-Cut Crystal Input	2		42	MHz
	Drive level	100			μW
	Maximum Shunt Capacitance			7	pF
<b>Power_Down, SYNC REQUIREMENTS</b>					
t <sub>r</sub> / t <sub>f</sub>	Rise and fall time of the Power_Down, SYNC, signal from 20% to 80% of V <sub>CC</sub>			4	ns

## PHASE NOISE ANALYSIS

**Table 1. Output Phase Noise for a 491.52 MHz External Reference**

Phase Noise Specifications under following configuration: REF = 491.52 MHz Diff, LVPECL					
Phase Noise	Reference 491.52 MHz	LVPECL 491.52 MHz	LVDS 245.52 MHz	LVCMOS 122.88 MHz	Unit
10 Hz	-86	-84	-90	-96	dBc/Hz
100 Hz	-100	-100	-105	-111	dBc/Hz
1 kHz	-108	-109	-115	-121	dBc/Hz
10 kHz	-130	-130	-136	-140	dBc/Hz
100 kHz	-135	-135	-140	-145	dBc/Hz
1 MHz	-138	-142	-143	-148	dBc/Hz
10 MHz	-150	-148	-150	-153	dBc/Hz
20 MHz	-150	-148	-150	-152	dBc/Hz
Jitter RMS 10k–20MHz	84	93	150	206	fs

**Table 2. Output Phase Noise for a 25 MHz Crystal Reference**

Phase Noise Specifications under following configuration: REF = 25 MHz, SE:LVCMOS				
PHASE NOISE	LVPECL 25 MHz	LVDS 25 MHz	LVCMOS 25 MHz	UNIT
10 Hz	-83	-82	-82	dBc/Hz
100 Hz	-115	-116	-115	dBc/Hz
1 kHz	-142	-142	-141	dBc/Hz
10 kHz	-152	-149	-151	dBc/Hz
100 kHz	-155	-151	-155	dBc/Hz
1 MHz	-157	-151	-158	dBc/Hz
5 MHz	-157	-151	-158	dBc/Hz
Jitter RMS 10k–5MHz	275	345	249	fs

## DEVICE CONFIGURATION

The Functional Description Section described three different functional blocks contained within the CDCE18005. [Figure 12](#) depicts these blocks along with a high-level functional block diagram of the circuit elements comprising each block. The balance of this section focuses on a detailed discussion of each functional block from the perspective of how to configure them.

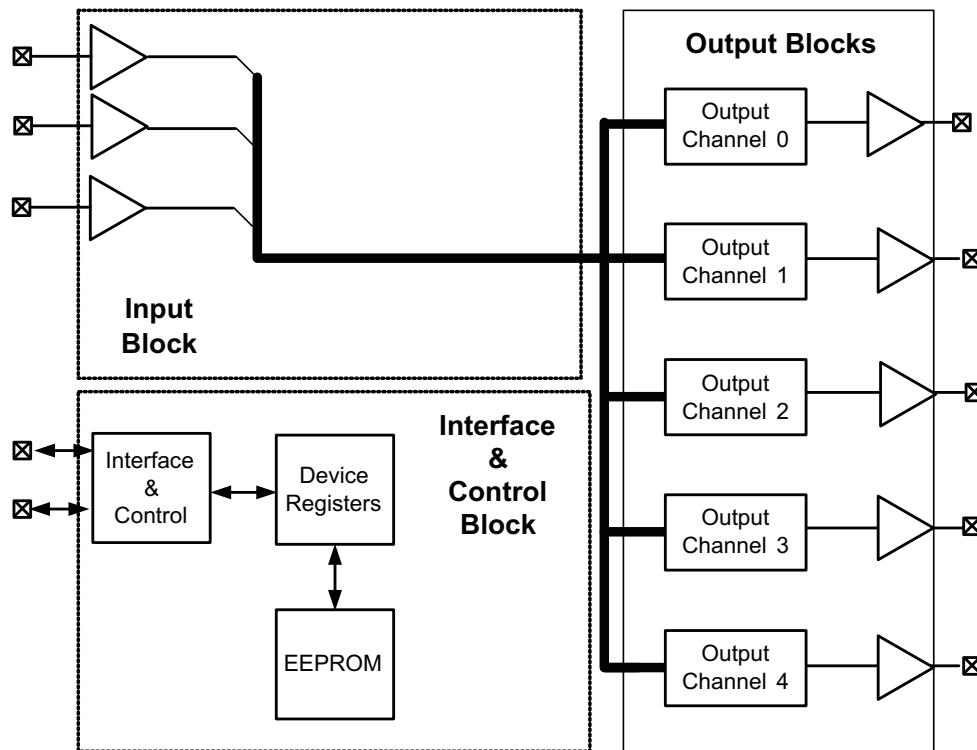


Figure 12. CDCE18005 Circuit Blocks

Throughout this section, references to Device Register memory locations follow the following convention:

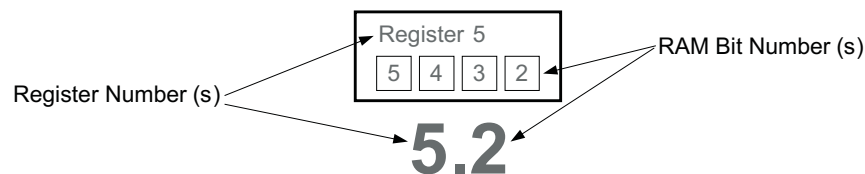


Figure 13. Device Register Reference Convention

## INTERFACE AND CONTROL BLOCK

The Interface and Control Block includes a SPI interface, two control pins, a non-volatile memory array in which the device stores default configuration data, and an array of device registers implemented in Static RAM. This RAM, also called the device registers, configures all hardware within the CDCE18005.

### SPI (Serial Peripheral Interface)

The serial interface of CDCE18005 is a simple bidirectional SPI interface for writing and reading to and from the device registers. It implements a low speed serial communications link in a master/slave topology in which the CDCE18005 is a slave. The SPI consists of four signals:

- **SPI\_CLK:** Serial Clock (Output from Master) – the CDCE18005 clocks data in and out on the rising edge of SPI\_CLK. Data transitions therefore occur on the falling edge of the clock.
- **SPI\_MOSI:** Master Output Slave Input (Output from Master).
- **SPI\_MISO:** Master Input Slave Output (Output from Slave).
- **SPI\_LE:** Latch Enable (Output from Master). The falling edge of SPI\_LE initiates a transfer. If SPI\_LE is high, no data transfer can take place.

# CDCE18005

SCAS863B –NOVEMBER 2008 –REVISED NOVEMBER 2012

www.ti.com

## SPI Interface Master

The Interface master can be designed using a FPGA or a micro controller. The CDCE18005 acts as a slave to the SPI master and only supports nonconsecutive read and write command. The SPI clock should start and stop with respect to the SPI\_LE signal as shown in Figure 14 SPI\_MOSI, SPI\_CLK and SPI\_LE are generated by the SPI Master. SPI\_MISO is generated by the SPI slave the CDCE18005.

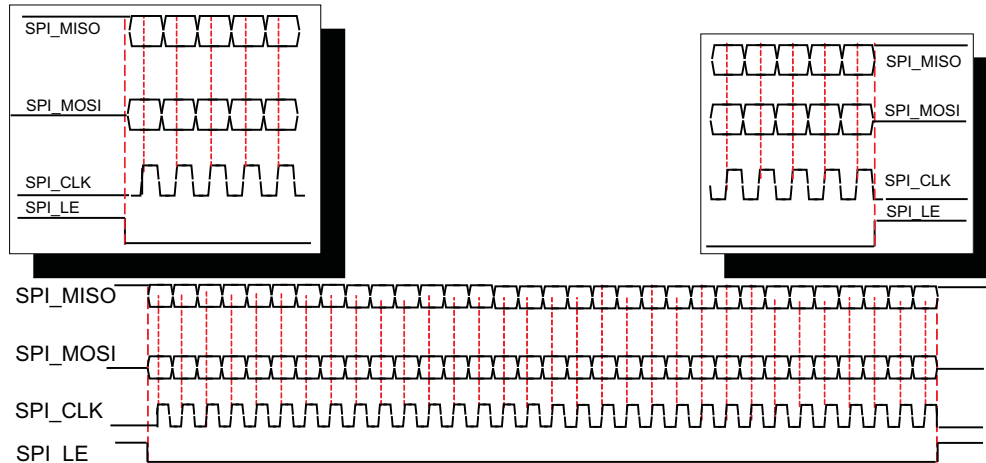


Figure 14. CDCE18005 SPI Read/Write Command

## SPI Consecutive Read/Write Cycles to the CDCE18005

Figure 15 illustrates how two consecutive SPI cycles are performed between a SPI Master and the CDCE18005 SPI Slave.

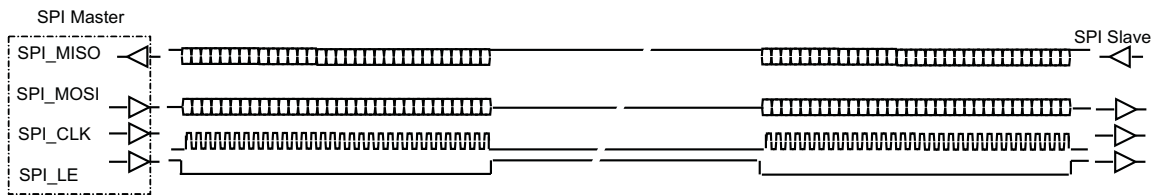


Figure 15. Consecutive Read/Write Cycles

## Writing to the CDCE18005

Figure 16 illustrates a Write to RAM operation. Notice that the latching of the first data bit in the data stream (Bit 0) occurs on the first rising edge of SPI\_CLK after SPI\_LE transitions from a high to a low. For the CDCE18005, data transitions occur on the falling edge of SPI\_CLK. A rising edge on SPI\_LE signals to the CDCE18005 that the transmission of the last bit in the stream (Bit 31) has occurred.

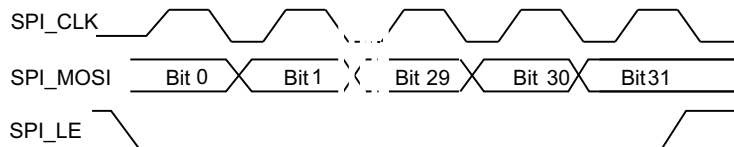


Figure 16. CDCE18005 SPI Write Operation



### Reading from the CDCE18005

Figure 17 shows how the CDCE18005 executes a Read Command. The SPI master first issues a Read Command to initiate a data transfer from the CDCE18005 back to the host (see Table 5). This command specifies the address of the register of interest. By transitioning SPI\_LE from a low to a high, the CDCE18005 resolves the address specified in the appropriate bits of the data field. The host drives SPI\_LE low and the CDCE18005 presents the data present in the register specified in the Read Command on SPI\_MISO.

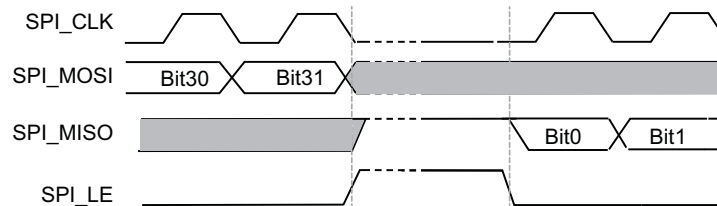


Figure 17. CDCE18005 SPI Read Operation

### Writing to EEPROM

After the CDCE18005 detects a power-up and completes a reset cycle, the device copies the contents of the on-chip EEPROM into the Device Registers. (SPI\_LE signal has to be HIGH in order for the EEPROM to load correctly during the rising edge of Power\_Down signal).

The host issues one of two special commands shown in Table 6 to copy the contents of Device Registers 0 through 7 (a total of 224 bits) into EEPROM. They include:

- Copy RAM to EEPROM – Unlock, Execution of this command can happen many times.
- Copy RAM to EEPROM – Lock: Execution of this command can happen only once; after which the EEPROM is **permanently locked**.

After either command is initiated, power must remain stable and the host must not access the CDCE18005 for at least 50 ms to allow the EEPROM to complete the write cycle and to avoid the possibility of EEPROM corruption.

### SPI CONTROL INTERFACE TIMING

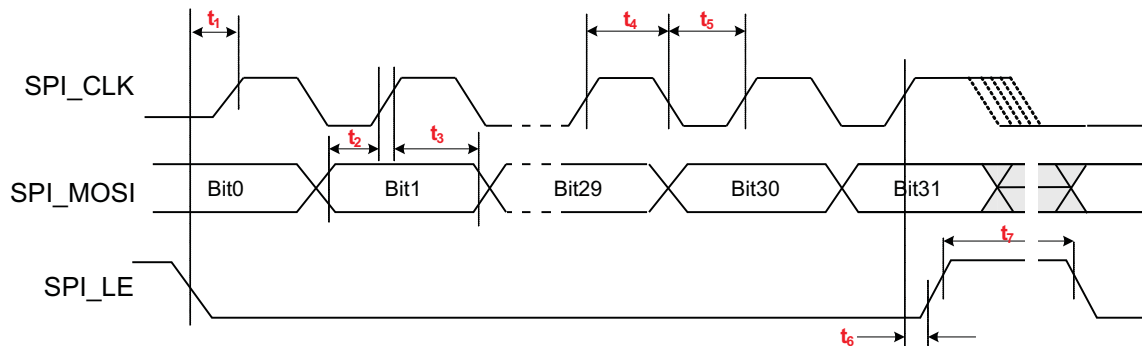
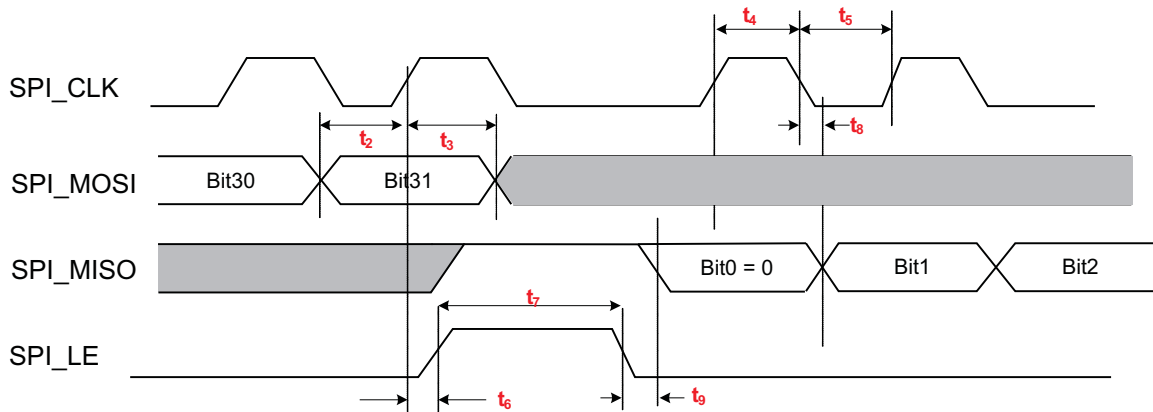


Figure 18. Timing Diagram for SPI Write Command


**Figure 19. Timing Diagram for SPI Read Command**
**Table 3. SPI Bus Timing Characteristics**

SPI BUS TIMINGS					
PARAMETER		MIN	TYP	MAX	UNIT
$f_{\text{Clock}}$	Clock Frequency for the SPI_CLK			20	MHz
$t_1$	SPI_LE to SPI_CLK setup time	10			ns
$t_2$	SPI_MOSI to SPI_CLK setup time	10			ns
$t_3$	SPI_MOSI to SPI_CLK hold time	10			ns
$t_4$	SPI_CLK high duration	25			ns
$t_5$	SPI_CLK low duration	25			ns
$t_6$	SPI_CLK to SPI_LE Hold time	10			ns
$t_7$	SPI_LE Pulse Width	20			ns
$t_8$	SPI_CLK to MISO data valid			10	ns
$t_9$	SPI_LE to SPI_MISO Data Valid			10	ns

### CDCE18005 SPI Command Structure

The CDCE18005 supports four commands issued by the Master via the SPI:

- Write to RAM
- Read Command
- Copy RAM to EEPROM – unlock
- Copy RAM to EEPROM – lock

**Table 4** provides a summary of the CDCE18005 SPI command structure. The host (master) constructs a Write to RAM command by specifying the appropriate register address in the address field and appends this value to the beginning of the data field. Therefore, a valid command stream must include 32 bits, transmitted LSB first. The host must issue a Read Command to initiate a data transfer from the CDCE18005 back to the host. This command specifies the address of the register of interest in the data field.

**Table 4. CDCE18005 SPI Command Structure**

Register	Operation	NVM	Data Field (28 Bits)																								Addr Field (4 Bits)												
			27	26	25	24	23	22	21	20	19	18	17	16	15	14	13	12	11	10	9	8	7	6	5	4	3	2	1	0	3	2	1	0					
0	Write to RAM	Yes	X	X	X	X	X	X	X	X	X	X	X	X	X	X	X	X	X	X	X	X	X	X	X	X	X	X	X	X	X	X	X	X	X	0	0	0	0
1	Write to RAM	Yes	X	X	X	X	X	X	X	X	X	X	X	X	X	X	X	X	X	X	X	X	X	X	X	X	X	X	X	X	X	X	X	X	X	0	0	0	1
2	Write to RAM	Yes	X	X	X	X	X	X	X	X	X	X	X	X	X	X	X	X	X	X	X	X	X	X	X	X	X	X	X	X	X	X	X	X	X	0	0	1	0
3	Write to RAM	Yes	X	X	X	X	X	X	X	X	X	X	X	X	X	X	X	X	X	X	X	X	X	X	X	X	X	X	X	X	X	X	X	X	X	0	0	1	1
4	Write to RAM	Yes	X	X	X	X	X	X	X	X	X	X	X	X	X	X	X	X	X	X	X	X	X	X	X	X	X	X	X	X	X	X	X	X	X	0	1	0	0
5	Write to RAM	Yes	X	X	X	X	X	X	X	X	X	X	X	X	X	X	X	X	X	X	X	X	X	X	X	X	X	X	X	X	X	X	X	X	X	0	1	0	1
6	Write to RAM	Yes	X	X	X	X	X	X	X	X	X	X	X	X	X	X	X	X	X	X	X	X	X	X	X	X	X	X	X	X	X	X	X	X	X	0	1	1	0
7	Write to RAM	Yes	X	X	X	X	X	X	X	X	X	X	X	X	X	X	X	X	X	X	X	X	X	X	X	X	X	X	X	X	X	X	X	X	X	0	1	1	1
8	Status/Control	No	X	X	X	X	X	X	X	X	X	X	X	X	X	X	X	X	X	X	X	X	X	X	X	X	X	X	X	X	X	X	X	X	X	1	0	0	0
Instruction	Read Command	No	0	0	0	0	0	0	0	0	0	0	0	0	0	0	0	0	0	0	0	0	0	0	0	0	0	0	0	0	0	0	0	0	0	0	0	0	
Instruction	RAMMEEPROM	Unlock <sup>(1)</sup>	0	0	0	0	0	0	0	0	0	0	0	0	0	0	0	0	0	0	0	0	0	0	0	0	0	0	0	0	0	0	0	0	0	1	1	1	1
Instruction	RAMMEEPROM	Lock	0	0	0	0	0	0	0	0	0	0	0	0	0	0	0	0	0	0	0	0	0	0	0	0	0	0	0	0	0	0	0	0	0	1	1	1	1

(1) **CAUTION:** After execution of this command, the EEPROM is permanently locked. After locking the EEPROM, device configuration can only be changed via Write to RAM after power-up; however, the EEPROM can no longer be changed

The CDCE18005 on-board EEPROM has been factory preset to the default settings listed in the table below.

REGISTER	DEFAULT SETTING
REG0000	8140000
REG0001	8140000
REG0002	8140000
REG0003	8140000
REG0004	8140000
REG0005	0000096
REG0006	0000000
REG0007	9400000

The default configuration programmed in the device is set to: PRI\_REF (set to LVPECL) feeding all outputs. Output dividers are set to DIVIDE by 1. All outputs are set to LVPECL.

# CDCE18005

SCAS863B –NOVEMBER 2008 –REVISED NOVEMBER 2012

[www.ti.com](http://www.ti.com)

## Device Registers: Register 0 Address 0x00

**Table 5. CDCE18005 Register 0 Bit Definitions**

RAM BIT	BIT NAME	RELATED BLOCK	DESCRIPTION/FUNCTION																																										
0	RESERVED		Always Set to "0" for Proper Operation	EEPROM																																									
1	RESERVED			EEPROM																																									
2	RESERVED			EEPROM																																									
3	RESERVED			EEPROM																																									
4	OUTMUX0SELX	Output 0	OUTPUT MUX "0" Select. Selects the Signal driving Output Divider "0" (X,Y) = 00: PRI_REF, 01: SEC_REF, 10: AUX_IN, 11: Reserved	EEPROM																																									
5	OUTMUX0SELY	Output 0		EEPROM																																									
6	PH0ADJC0	Output 0	Coarse phase adjust select for output divider "0"	EEPROM																																									
7	PH0ADJC1	Output 0		EEPROM																																									
8	PH0ADJC2	Output 0		EEPROM																																									
9	PH0ADJC3	Output 0		EEPROM																																									
10	PH0ADJC4	Output 0		EEPROM																																									
11	PH0ADJC5	Output 0		EEPROM																																									
12	PH0ADJC6	Output 0		EEPROM																																									
13	OUT0DIVRSEL0	Output 0	OUTPUT DIVIDER "0" Ratio Select	EEPROM																																									
14	OUT0DIVRSEL1	Output 0		EEPROM																																									
15	OUT0DIVRSEL2	Output 0		EEPROM																																									
16	OUT0DIVRSEL3	Output 0		EEPROM																																									
17	OUT0DIVRSEL4	Output 0		EEPROM																																									
18	OUT0DIVRSEL5	Output 0		EEPROM																																									
19	OUT0DIVRSEL6	Output 0		EEPROM																																									
20	OUT0DIVSEL	Output 0	When set to "0", the divider is disabled When set to "1", the divider is enabled	EEPROM																																									
21	HiSWINGLVPECL0	Output 0	High Swing LVPECL When set to "1" and Normal Swing when set to "0" – If LVCMOS or LVDS is selected the Output swing will stay at the same level. <sup>(1)</sup> – If LVPECL buffer is selected the Output Swing will be 30% higher if this bit is set to "1" and Normal LVPECL if it is set to "0".	EEPROM																																									
22	CMOSMODE0PX	Output 0	LVCMOS mode select for OUTPUT "0" Positive Pin. (X,Y)=00:Active, 10:Inverting, 11:Low, 01:3-State	EEPROM																																									
23	CMOSMODE0PY	Output 0		EEPROM																																									
24	CMOSMODE0NX	Output 0	LVCMOS mode select for OUTPUT "0" Negative Pin. (X,Y)=00:Active, 10:Inverting, 11:Low, 01:3-State	EEPROM																																									
25	CMOSMODE0NY	Output 0		EEPROM																																									
26	OUTBUFSELOX	Output 0	<table border="1"> <thead> <tr> <th rowspan="2">OUTPUT TYPE</th> <th colspan="6">RAM BITS</th> </tr> <tr> <th>22</th> <th>23</th> <th>24</th> <th>25</th> <th>26</th> <th>27</th> </tr> </thead> <tbody> <tr> <td>LVPECL</td> <td>0</td> <td>0</td> <td>0</td> <td>0</td> <td>0</td> <td>1</td> </tr> <tr> <td>LVDS</td> <td>0</td> <td>1</td> <td>0</td> <td>1</td> <td>1</td> <td>1</td> </tr> <tr> <td>LVCMOS</td> <td colspan="4">See Settings Above*</td> <td>0</td> <td>0</td> </tr> <tr> <td>Output Disabled</td> <td>0</td> <td>1</td> <td>0</td> <td>1</td> <td>1</td> <td>0</td> </tr> </tbody> </table>	OUTPUT TYPE	RAM BITS						22	23	24	25	26	27	LVPECL	0	0	0	0	0	1	LVDS	0	1	0	1	1	1	LVCMOS	See Settings Above*				0	0	Output Disabled	0	1	0	1	1	0	EEPROM
OUTPUT TYPE	RAM BITS																																												
	22	23		24	25	26	27																																						
LVPECL	0	0		0	0	0	1																																						
LVDS	0	1		0	1	1	1																																						
LVCMOS	See Settings Above*				0	0																																							
Output Disabled	0	1	0	1	1	0																																							
27	OUTBUFSELOY	Output 0		EEPROM																																									

\* Use Description for Bits 22,23,24 and 25 for setting the LVCMOS Outputs

(1) Set Register R0.21 to '0' for LVDS and LVCMOS outputs

**Device Registers: Register 1 Address 0x01**
**Table 6. CDCE18005 Register 1 Bit Definitions**

RAM BIT	BIT NAME	RELATED BLOCK	DESCRIPTION/FUNCTION																																										
0	RESERVED		Always St "0" for Proper Operation	EEPROM																																									
1	RESERVED			EEPROM																																									
2	RESERVED			EEPROM																																									
3	RESERVED			EEPROM																																									
4	OUTMUX1SELX	Output 1	OUTPUT MUX "1" Select. Selects the Signal driving Output Divider "1" (X,Y) = 00: PRI_REF, 01:SEC_REF, 10:AUX_IN, 11:Reserved	EEPROM																																									
5	OUTMUX1SELY	Output 1		EEPROM																																									
6	PH1ADJC0	Output 1	Coarse phase adjust select for output divider "1"	EEPROM																																									
7	PH1ADJC1	Output 1		EEPROM																																									
8	PH1ADJC2	Output 1		EEPROM																																									
9	PH1ADJC3	Output 1		EEPROM																																									
10	PH1ADJC4	Output 1		EEPROM																																									
11	PH1ADJC5	Output 1		EEPROM																																									
12	PH1ADJC6	Output 1	EEPROM																																										
13	OUT1DIVRSEL0	Output 1	OUTPUT DIVIDER "1" Ratio Select	EEPROM																																									
14	OUT1DIVRSEL1	Output 1		EEPROM																																									
15	OUT1DIVRSEL2	Output 1		EEPROM																																									
16	OUT1DIVRSEL3	Output 1		EEPROM																																									
17	OUT1DIVRSEL4	Output 1		EEPROM																																									
18	OUT1DIVRSEL5	Output 1		EEPROM																																									
19	OUT1DIVRSEL6	Output 1	EEPROM																																										
20	OUT1DIVSEL	Output 1	When set to "0", the divider is disabled When set to "1", the divider is enabled	EEPROM																																									
21	HiSWINGLVPECL1	Output 1	High Swing LVPECL When set to "1" and Normal Swing when set to "0" – If LVCMOS or LVDS is selected the Output swing will stay at the same level. <sup>(1)</sup> – If LVPECL buffer is selected the Output Swing will be 30% higher if this bit is set to "1" and Normal LVPECL if it is set to "0".	EEPROM																																									
22	CMOSMODE1PX	Output 1	LVCMOS mode select for OUTPUT "1" Positive Pin. (X,Y)=00:Active, 10:Inverting, 11:Low, 01:3-State	EEPROM																																									
23	CMOSMODE1PY	Output 1		EEPROM																																									
24	CMOSMODE1NX	Output 1	LVCMOS mode select for OUTPUT "1" Negative Pin. (X,Y)=00:Active, 10:Inverting, 11:Low, 01:3-State	EEPROM																																									
25	CMOSMODE1NY	Output 1		EEPROM																																									
26	OUTBUFSEL1X	Output 1	<table border="1"> <thead> <tr> <th rowspan="2">OUTPUT TYPE</th> <th colspan="6">RAM BITS</th> </tr> <tr> <th>22</th> <th>23</th> <th>24</th> <th>25</th> <th>26</th> <th>27</th> </tr> </thead> <tbody> <tr> <td>LVPECL</td> <td>0</td> <td>0</td> <td>0</td> <td>0</td> <td>0</td> <td>1</td> </tr> <tr> <td>LVDS</td> <td>0</td> <td>1</td> <td>0</td> <td>1</td> <td>1</td> <td>1</td> </tr> <tr> <td>LVCMOS</td> <td colspan="4">See Settings Above*</td> <td>0</td> <td>0</td> </tr> <tr> <td>Output Disabled</td> <td>0</td> <td>1</td> <td>0</td> <td>1</td> <td>1</td> <td>0</td> </tr> </tbody> </table>	OUTPUT TYPE	RAM BITS						22	23	24	25	26	27	LVPECL	0	0	0	0	0	1	LVDS	0	1	0	1	1	1	LVCMOS	See Settings Above*				0	0	Output Disabled	0	1	0	1	1	0	EEPROM
OUTPUT TYPE	RAM BITS																																												
	22	23		24	25	26	27																																						
LVPECL	0	0		0	0	0	1																																						
LVDS	0	1		0	1	1	1																																						
LVCMOS	See Settings Above*				0	0																																							
Output Disabled	0	1	0	1	1	0																																							
27	OUTBUFSEL1Y	Output 1		EEPROM																																									

\* Use Description for Bits 22,23,24 and 25 for setting the LVCMOS Outputs

(1) Set Register R1.21 to '0' for LVDS and LVCMOS outputs

**Device Registers: Register 2 Address 0x02**
**Table 7. CDCE18005 Register 2 Bit Definitions**

RAM BIT	BIT NAME	RELATED BLOCK	DESCRIPTION/FUNCTION																																										
0	RESERVED		Always Set to "0" for Proper Operation	EEPROM																																									
1	RESERVED			EEPROM																																									
2	RESERVED			EEPROM																																									
3	RESERVED			EEPROM																																									
4	OUTMUX2SELX	Output 2	OUTPUT MUX "2" Select. Selects the Signal driving Output Divider "2" (X,Y) = 00: PRI_REF, 01:SEC_REF, 10:AUX_IN, 11:Reserved	EEPROM																																									
5	OUTMUX2SELY	Output 2		EEPROM																																									
6	PH2ADJC0	Output 2	Coarse phase adjust select for output divider "2"	EEPROM																																									
7	PH2ADJC1	Output 2		EEPROM																																									
8	PH2ADJC2	Output 2		EEPROM																																									
9	PH2ADJC3	Output 2		EEPROM																																									
10	PH2ADJC4	Output 2		EEPROM																																									
11	PH2ADJC5	Output 2		EEPROM																																									
12	PH2ADJC6	Output 2		EEPROM																																									
13	OUT2DIVRSEL0	Output 2	OUTPUT DIVIDER "2" Ratio Select	EEPROM																																									
14	OUT2DIVRSEL1	Output 2		EEPROM																																									
15	OUT2DIVRSEL2	Output 2		EEPROM																																									
16	OUT2DIVRSEL3	Output 2		EEPROM																																									
17	OUT2DIVRSEL4	Output 2		EEPROM																																									
18	OUT2DIVRSEL5	Output 2		EEPROM																																									
19	OUT2DIVRSEL6	Output 2		EEPROM																																									
20	OUT2DIVSEL	Output 2	When set to "0", the divider is disabled When set to "1", the divider is enabled	EEPROM																																									
21	HiSWINGLVPECL	Output 2	High Swing LVPECL When set to "1" and Normal Swing when set to "0" – If LVCMOS or LVDS is selected the Output swing will stay at the same level. <sup>(1)</sup> – If LVPECL buffer is selected the Output Swing will be 30% higher if this bit is set to "1" and Normal LVPECL if it is set to "0".	EEPROM																																									
22	CMOSMODE2PX	Output 2	LVCMOS mode select for OUTPUT "2" Positive Pin. (X,Y)=00:Active, 10:Inverting, 11:Low, 01:3-State	EEPROM																																									
23	CMOSMODE2PY	Output 2		EEPROM																																									
24	CMOSMODE2NX	Output 2	LVCMOS mode select for OUTPUT "2" Negative Pin. (X,Y)=00:Active, 10:Inverting, 11:Low, 01:3-State	EEPROM																																									
25	CMOSMODE2NY	Output 2		EEPROM																																									
26	OUTBUFSEL2X	Output 2	<table border="1"> <thead> <tr> <th rowspan="2">OUTPUT TYPE</th> <th colspan="6">RAM BITS</th> </tr> <tr> <th>22</th> <th>23</th> <th>24</th> <th>25</th> <th>26</th> <th>27</th> </tr> </thead> <tbody> <tr> <td>LVPECL</td> <td>0</td> <td>0</td> <td>0</td> <td>0</td> <td>0</td> <td>1</td> </tr> <tr> <td>LVDS</td> <td>0</td> <td>1</td> <td>0</td> <td>1</td> <td>1</td> <td>1</td> </tr> <tr> <td>LVCMOS</td> <td colspan="4">See Settings Above*</td> <td>0</td> <td>0</td> </tr> <tr> <td>Output Disabled</td> <td>0</td> <td>1</td> <td>0</td> <td>1</td> <td>1</td> <td>0</td> </tr> </tbody> </table>	OUTPUT TYPE	RAM BITS						22	23	24	25	26	27	LVPECL	0	0	0	0	0	1	LVDS	0	1	0	1	1	1	LVCMOS	See Settings Above*				0	0	Output Disabled	0	1	0	1	1	0	EEPROM
OUTPUT TYPE	RAM BITS																																												
	22	23		24	25	26	27																																						
LVPECL	0	0		0	0	0	1																																						
LVDS	0	1		0	1	1	1																																						
LVCMOS	See Settings Above*				0	0																																							
Output Disabled	0	1	0	1	1	0																																							
27	OUTBUFSEL2Y	Output 2		EEPROM																																									

\* Use Description for Bits 22,23,24 and 25 for setting the LVCMOS Outputs

(1) Set Register R2.21 to '0' for LVDS and LVCMOS outputs

**Device Registers: Register 3 Address 0x03**
**Table 8. CDCE18005 Register 3 Bit Definitions**

RAM BIT	BIT NAME	RELATED BLOCK	DESCRIPTION/FUNCTION																																															
0	RESERVED		Always Set to "0" for Proper Operation						EEPROM																																									
1	RESERVED								EEPROM																																									
2	RESERVED								EEPROM																																									
3	RESERVED								EEPROM																																									
4	OUTMUX3SELX	Output 3	OUTPUT MUX "3" Select. Selects the Signal driving Output Divider "3" (X,Y) = 00: PRI_REF, 01:SEC_REF, 10:AUX_IN, 11:Reserved						EEPROM																																									
5	OUTMUX3SELY	Output 3							EEPROM																																									
6	PH3ADJC0	Output 3	Coarse phase adjust select for output divider "3"						EEPROM																																									
7	PH3ADJC1	Output 3							EEPROM																																									
8	PH3ADJC2	Output 3							EEPROM																																									
9	PH3ADJC3	Output 3							EEPROM																																									
10	PH3ADJC4	Output 3							EEPROM																																									
11	PH3ADJC5	Output 3							EEPROM																																									
12	PH3ADJC6	Output 3							EEPROM																																									
13	OUT3DIVRSEL0	Output 3	OUTPUT DIVIDER "3" Ratio Select						EEPROM																																									
14	OUT3DIVRSEL1	Output 3							EEPROM																																									
15	OUT3DIVRSEL2	Output 3							EEPROM																																									
16	OUT3DIVRSEL3	Output 3							EEPROM																																									
17	OUT3DIVRSEL4	Output 3							EEPROM																																									
18	OUT3DIVRSEL5	Output 3							EEPROM																																									
19	OUT3DIVRSEL6	Output 3							EEPROM																																									
20	OUT3DIVSEL	Output 3	When set to "0", the divider is disabled When set to "1", the divider is enabled						EEPROM																																									
21	HiSWINGLVPECL3	Output 3	High Swing LVPECL When set to "1" and Normal Swing when set to "0" – If LVCMOS or LVDS is selected the Output swing will stay at the same level. <sup>(1)</sup> – If LVPECL buffer is selected the Output Swing will be 30% higher if this bit is set to "1" and Normal LVPECL if it is set to "0".						EEPROM																																									
22	CMOSMODE3PX	Output 3	LVCMOS mode select for OUTPUT "3" Positive Pin. (X,Y)=00:Active, 10:Inverting, 11:Low, 01:3-State						EEPROM																																									
23	CMOSMODE3PY	Output 3							EEPROM																																									
24	CMOSMODE3NX	Output 3	LVCMOS mode select for OUTPUT "3" Negative Pin. (X,Y)=00:Active, 10:Inverting, 11:Low, 01:3-State						EEPROM																																									
25	CMOSMODE3NY	Output 3							EEPROM																																									
26	OUTBUFSEL3X	Output 3	<table border="1"> <thead> <tr> <th rowspan="2">OUTPUT TYPE</th> <th colspan="6">RAM BITS</th> </tr> <tr> <th>22</th> <th>23</th> <th>24</th> <th>25</th> <th>26</th> <th>27</th> </tr> </thead> <tbody> <tr> <td>LVPECL</td> <td>0</td> <td>0</td> <td>0</td> <td>0</td> <td>0</td> <td>1</td> </tr> <tr> <td>LVDS</td> <td>0</td> <td>1</td> <td>0</td> <td>1</td> <td>1</td> <td>1</td> </tr> <tr> <td>LVCMOS</td> <td colspan="4">See Settings Above*</td> <td>0</td> <td>0</td> </tr> <tr> <td>Output Disabled</td> <td>0</td> <td>1</td> <td>0</td> <td>1</td> <td>1</td> <td>0</td> </tr> </tbody> </table>						OUTPUT TYPE	RAM BITS						22	23	24	25	26	27	LVPECL	0	0	0	0	0	1	LVDS	0	1	0	1	1	1	LVCMOS	See Settings Above*				0	0	Output Disabled	0	1	0	1	1	0	EEPROM
OUTPUT TYPE	RAM BITS																																																	
	22	23							24	25	26	27																																						
LVPECL	0	0							0	0	0	1																																						
LVDS	0	1							0	1	1	1																																						
LVCMOS	See Settings Above*				0	0																																												
Output Disabled	0	1	0	1	1	0																																												
27	OUTBUFSEL3Y	Output 3							EEPROM																																									

\* Use Description for Bits 22,23,24 and 25 for setting the LVCMOS Outputs

(1) Set Register R3.21 to '0' for LVDS and LVCMOS outputs

# CDCE18005

SCAS863B –NOVEMBER 2008 –REVISED NOVEMBER 2012

[www.ti.com](http://www.ti.com)

## Device Registers: Register 4 Address 0x04

**Table 9. CDCE18005 Register 4 Bit Definitions**

RAM BIT	BIT NAME	RELATED BLOCK	DESCRIPTION/FUNCTION																																										
0	RESERVED		Must be set to "0" for proper operation	EEPROM																																									
1	RESERVED			EEPROM																																									
2	RESERVED			EEPROM																																									
3	RESERVED			EEPROM																																									
4	OUTMUX4SELX	Output 4	OUTPUT MUX "4" Select. Selects the Signal driving Output Divider "4" (X,Y) = 00: PRI_REF, 01:SEC_REF, 10:SMART_AUX_IN, 11:Reserved	EEPROM																																									
5	OUTMUX4SELY	Output 4		EEPROM																																									
6	PH4ADJC0	Output 4	Coarse phase adjust select for output divider "4"	EEPROM																																									
7	PH4ADJC1	Output 4		EEPROM																																									
8	PH4ADJC2	Output 4		EEPROM																																									
9	PH4ADJC3	Output 4		EEPROM																																									
10	PH4ADJC4	Output 4		EEPROM																																									
11	PH4ADJC5	Output 4		EEPROM																																									
12	PH4ADJC6	Output 4		EEPROM																																									
13	OUT4DIVRSEL0	Output 4	OUTPUT DIVIDER "4" Ratio Select	EEPROM																																									
14	OUT4DIVRSEL1	Output 4		EEPROM																																									
15	OUT4DIVRSEL2	Output 4		EEPROM																																									
16	OUT4DIVRSEL3	Output 4		EEPROM																																									
17	OUT4DIVRSEL4	Output 4		EEPROM																																									
18	OUT4DIVRSEL5	Output 4		EEPROM																																									
19	OUT4DIVRSEL6	Output 4		EEPROM																																									
20	OUT4DIVSEL	Output 4	When set to "0", the divider is disabled When set to "1", the divider is enabled	EEPROM																																									
21	HiSWINGLVPECL4	Output 4	High Swing LVPECL When set to "1" and Normal Swing when set to "0" <sup>(1)</sup> – If LVCMOS or LVDS is selected the Output swing will stay at the same level. – If LVPECL buffer is selected the Output Swing will be 30% higher if this bit is set to "1" and Normal LVPECL if it is set to "0".	EEPROM																																									
22	CMOSMODE4PX	Output 4	LVCMOS mode select for OUTPUT "4" Positive Pin. (X,Y)=00:Active, 10:Inverting, 11:Low, 01:3-State	EEPROM																																									
23	CMOSMODE4PY	Output 4		EEPROM																																									
24	CMOSMODE4NX	Output 4	LVCMOS mode select for OUTPUT "3" Negative Pin. (X,Y)=00:Active, 10:Inverting, 11:Low, 01:3-State	EEPROM																																									
25	CMOSMODE4NY	Output 4		EEPROM																																									
26	OUTBUFSEL4X	Output 4	<table border="1"> <thead> <tr> <th rowspan="2">OUTPUT TYPE</th> <th colspan="6">RAM BITS</th> </tr> <tr> <th>22</th> <th>23</th> <th>24</th> <th>25</th> <th>26</th> <th>27</th> </tr> </thead> <tbody> <tr> <td>LVPECL</td> <td>0</td> <td>0</td> <td>0</td> <td>0</td> <td>0</td> <td>1</td> </tr> <tr> <td>LVDS</td> <td>0</td> <td>1</td> <td>0</td> <td>1</td> <td>1</td> <td>1</td> </tr> <tr> <td>LVCMOS</td> <td colspan="4">See Settings Above*</td> <td>0</td> <td>0</td> </tr> <tr> <td>Output Disabled</td> <td>0</td> <td>1</td> <td>0</td> <td>1</td> <td>1</td> <td>0</td> </tr> </tbody> </table>	OUTPUT TYPE	RAM BITS						22	23	24	25	26	27	LVPECL	0	0	0	0	0	1	LVDS	0	1	0	1	1	1	LVCMOS	See Settings Above*				0	0	Output Disabled	0	1	0	1	1	0	EEPROM
OUTPUT TYPE	RAM BITS																																												
	22	23		24	25	26	27																																						
LVPECL	0	0		0	0	0	1																																						
LVDS	0	1		0	1	1	1																																						
LVCMOS	See Settings Above*				0	0																																							
Output Disabled	0	1	0	1	1	0																																							
27	OUTBUFSEL4Y	Output 4		EEPROM																																									

\* Use Description for Bits 22,23,24 and 25 for setting the LVCMOS Outputs

(1) Set Register R4.21 to '0' for LVDS and LVCMOS outputs



**Device Registers: Register 5 Address 0x05**
**Table 10. CDCE18005 Register 5 Bit Definitions**

RAM BIT	BIT NAME	RELATED BLOCK	DESCRIPTION/FUNCTION	
0	INBUFSELX	INBUFSELX	Input Buffer Select (LVPECL,LVDS or LVCMOS)	EEPROM
1	INBUFSELY	INBUFSELY	XY(01 ) LVPECL, (11) LVDS, (00) LVCMOS- Input is Positive Pin	EEPROM
2	SYNCSEL1	Output Divider Synchronization	SYNCSEL(1,2)= 10 :Output divider sync to Primary input	EEPROM
3	SYNCSEL2		SYNCSEL(1,2)= 01 :Output divider sync to Secondary input SYNCSEL(1,2)= 00 :Output divider sync to Auxiliary input	EEPROM
4	RESERVED		Always Set to "1" for Proper Operation	EEPROM
5	RESERVED		Always Set to "0" for Proper Operation	EEPROM
6	ACDCSEL	Input Buffers	If Set to "1" DC Termination, If set to "0" AC Termination	EEPROM
7	HYSTEN	Input Buffers	If Set to "1" Input Buffers Hysteresis Enabled. It is not recommended that Hysteresis be disabled.	EEPROM
8	PRI_TERMSEL	Input Buffers	If Set to "0" Primary Input Buffer Internal Termination Enabled If set to "1" Primary Internal Termination circuitry Disabled	EEPROM
9	PRIINVBB	Input Buffers	If Set to "1" Primary Input Negative Pin Biased with Internal VBB Voltage.	EEPROM
10	SECINVBB	Input Buffers	If Set to "1" Secondary Input Negative Pin Biased with Internal VBB Voltage	EEPROM
11	FAILSAFE	Input Buffers	If Set to "1" Fail Safe is Enabled for all Input Buffers configured as LVDS, DC Coupling only.	EEPROM
12	RESERVED	-----	Must be set to "0" for proper operation	EEPROM
13	RESERVED			EEPROM
14	RESERVED			EEPROM
15	RESERVED			EEPROM
16	RESERVED			EEPROM
17	RESERVED			EEPROM
18	RESERVED			EEPROM
19	RESERVED			EEPROM
20	RESERVED			EEPROM
21	RESERVED			EEPROM
22	RESERVED			EEPROM
23	RESERVED			EEPROM
24	RESERVED			EEPROM
25	RESERVED			EEPROM
26	RESERVED			EEPROM
27	RESERVED			EEPROM

# CDCE18005

SCAS863B –NOVEMBER 2008 –REVISED NOVEMBER 2012

[www.ti.com](http://www.ti.com)

## Device Registers: Register 6 Address 0x06

**Table 11. CDCE18005 Register 6 Bit Definitions**

RAM BIT	BIT NAME	RELATED BLOCK	DESCRIPTION/FUNCTION	
0	RESERVED		Must be set to "0"	EEPROM
1	RESERVED			EEPROM
2	RESERVED			EEPROM
3	RESERVED			EEPROM
4	RESERVED			EEPROM
5	RESERVED			EEPROM
6	RESERVED			EEPROM
7	RESERVED			EEPROM
8	RESERVED			EEPROM
9	RESERVED			EEPROM
10	RESERVED			EEPROM
11	RESERVED			EEPROM
12	SEC_TERMSEL	Input Buffers	If Set to "0" Secondary Input Buffer Internal Termination Enabled If set to "1" Secondary Internal Termination circuitry Disabled	EEPROM
13	RESERVED		Must be set to "0"	EEPROM
14	RESERVED			EEPROM
15	RESERVED			EEPROM
16	RESERVED			EEPROM
17	RESERVED			EEPROM
18	RESERVED			EEPROM
19	RESERVED			EEPROM
20	RESERVED			EEPROM
21	RESERVED			EEPROM
22	RESERVED			EEPROM
23	RESERVED			EEPROM
24	AUXOUTEN	Output AUX	Enable Auxiliary Output when set to "1"	EEPROM
25	AUXFEEDSEL	Output AUX	Select the Output that will driving the AUX Output; Low for Selecting Output Divider "2" and High for Selecting Output Divider "3"	EEPROM
26	RESERVED		Must be set to "0"	EEPROM
27	RESERVED		Must be set to "0"	EEPROM

**Device Registers: Register 7 Address 0x07**
**Table 12. CDCE18005 Register 7 Bit Definitions**

RAM BIT	BIT NAME	RELATED BLOCK	DESCRIPTION/FUNCTION	
0	RESERVED		Always Set to "0" for Proper Operation	EEPROM
1	RESERVED			EEPROM
2	RESERVED			EEPROM
3	RESERVED			EEPROM
4	RESERVED			EEPROM
5	RESERVED			EEPROM
6	RESERVED			EEPROM
7	RESERVED			EEPROM
8	RESERVED			EEPROM
9	RESERVED			EEPROM
10	RESERVED			EEPROM
11	RESERVED			EEPROM
12	RESERVED			EEPROM
13	RESERVED			EEPROM
14	RESERVED			EEPROM
15	RESERVED			EEPROM
16	RESERVED			EEPROM
17	RESERVED			EEPROM
18	RESERVED			EEPROM
19	RESERVED			EEPROM
20	RESERVED			EEPROM
21	RESERVED			EEPROM
22	TESTMUX1	Diagnostics	Set to "1"	EEPROM
23	RESERVED		Always Set to "0" for Proper Operation	EEPROM
24	TEXTMUX2	Diagnostics	Set to "1"	EEPROM
25	RESERVED		Always Set to "0" for Proper Operation	EEPROM
26	EPUNLOCK	Status	If it reads "0" the EEPROM is unlocked. If it reads "1" the EEPROM is Locked	RAM
27	EPSTATUS	Status	Read only; always reads "1"	RAM

# CDCE18005

SCAS863B –NOVEMBER 2008–REVISED NOVEMBER 2012

[www.ti.com](http://www.ti.com)

## Device Registers: Register 8 Address 0x08

**Table 13. CDCE18005 Register 8 Bit Definitions<sup>(1)</sup>**

RAM BIT	BIT NAME	RELATED BLOCK	DESCRIPTION/FUNCTION	
0	RESERVED		<i>TI Test Registers. For TI Use Only</i>	RAM
1	RESERVED			RAM
2	RESERVED			RAM
3	RESERVED			RAM
4	RESERVED			RAM
5	RESERVED			RAM
6	RESERVED			RAM
7	$\overline{\text{SLEEP}}$	Status	Set Device Sleep mode On when set to "0", Normal Mode when set to "1"	RAM
8	$\overline{\text{SYNC}}$	Status	If set to "0" this bit forces $\overline{\text{SYNC}}$ ; Set to "1" to exit the Synchronization State.	RAM
9	RESERVED		Must be set to "0"	RAM
10	VERSION0		Silicon Revision	RAM
11	VERSION1		Silicon Revision	RAM
12	VERSION2		Silicon Revision	RAM
13	RESERVED		<i>TI Test Registers. For TI Use Only</i>	RAM
14	RESERVED			RAM
15	RESERVED			RAM
16	RESERVED			RAM
17	RESERVED			RAM
18	RESERVED			RAM
19	RESERVED			RAM
20	RESERVED			RAM
21	RESERVED			RAM
22	RESERVED			RAM
23	RESERVED			RAM
24	RESERVED			RAM
25	RESERVED			RAM
26	RESERVED			RAM
27	RESERVED			RAM

(1) All reserved Bits can be set to "0" when writing to Register 8

Device Control

Figure 20 provides a conceptual explanation of the CDCE18005 Device operation. Table 14 defines how the device behaves in each of the operational states.

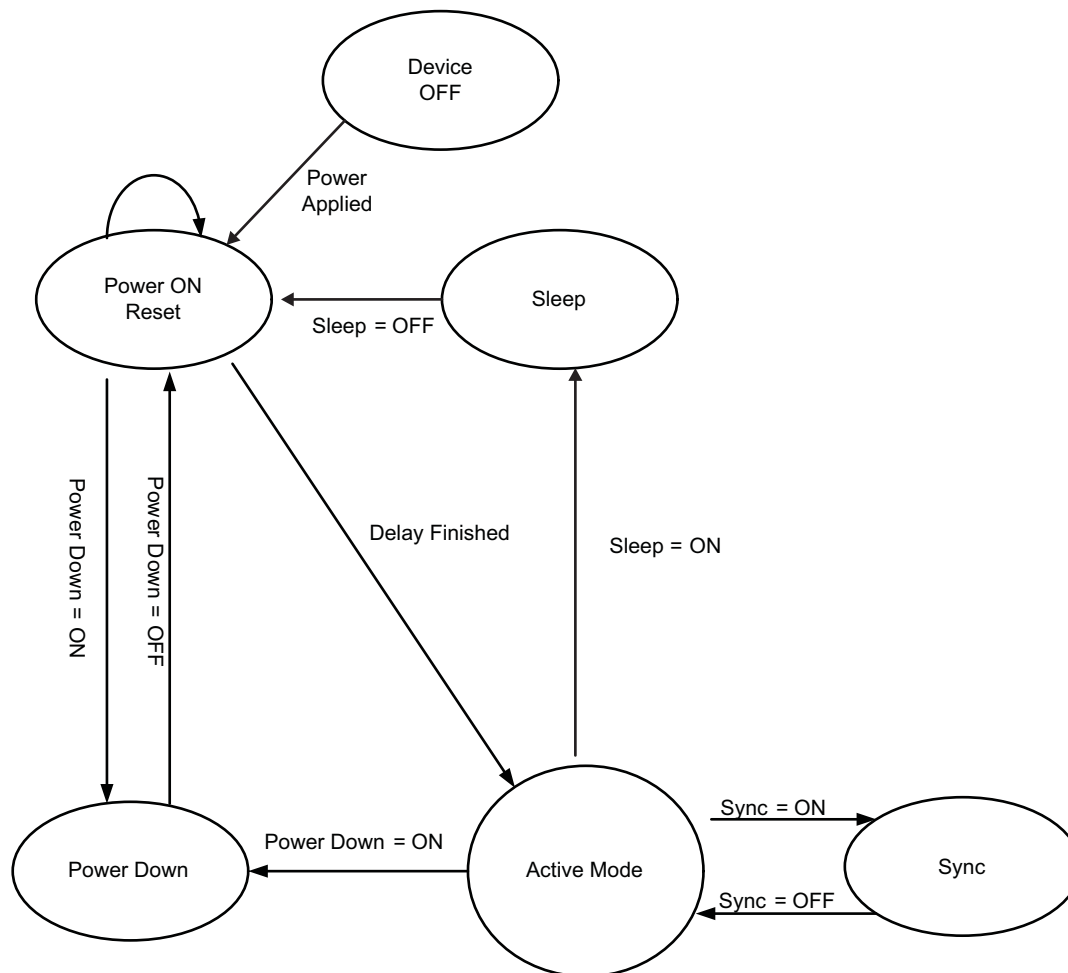


Figure 20. CDCE18005 Device State Control Diagram

Table 14. CDCE18005 Device State Definitions

State	Device Behavior	Entered Via	Exited Via	Status		
				SPI Port	Output Divider	Output Buffer
Power-On Reset	After device power supply reaches approximately 2.35V, the contents of EEPROM are copied into the Device Registers within 100 ns, thereby initializing the device hardware.	Power applied to the device or upon exit from Power Down State via the Power_Down pin set HIGH.	Power On Reset and EEPROM loading delays are finished OR the Power_Down pin is set LOW.	OFF	Disabled	OFF
Active Mode	Normal Operation	Sync = OFF (from Sync State).	Sync, Power Down, Sleep, or Manual Recalibration activated.	ON	Disabled or Enabled	HI-Z or Enabled
Power Down	Used to shut down all hardware and Resets the device after exiting the Power Down State. Therefore, the EEPROM contents will eventually be copied into RAM after the Power Down State is exited.	Power_Down pin is pulled LOW.	Power_Down pin is pulled HIGH.	ON	Disabled	HI-Z
Sleep	Identical to the Power Down State except the EEPROM contents are not copied into RAM.	SLEEP bit in device register 8 bit 7 is set LOW.	SLEEP bit in device register 8 bit 7 is set HIGH.	ON	Disabled	HI-Z

**Table 14. CDCE18005 Device State Definitions (continued)**

State	Device Behavior	Entered Via	Exited Via	Status		
				SPI Port	Output Divider	Output Buffer
Sync	Sync synchronizes all output dividers so that they begin counting at the same time. Note: this operation is performed automatically each time a divider register is accessed.	SYNC Bit in device register 8 bit 8 is set LOW or SYNC pin is pulled LOW	SYNC Bit in device register 8 bit 8 is set HIGH or SYNC pin is pulled HIGH	ON	Disabled	HI-Z

## External Control Pins

### Power\_Down

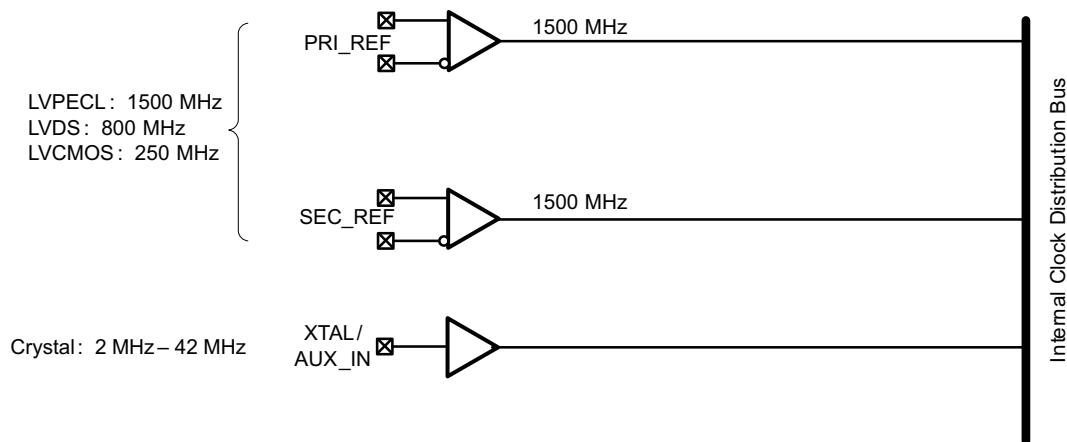
The Power\_Down pin places the CDCE18005 into the power down state. Additionally, the CDCE18005 loads the contents of the EEPROM into RAM after the Power\_Down pin is de-asserted; therefore, it is used to initialize the device after power is applied. SPI\_LE signal has to be HIGH in order for EEPROM to load correctly during the rising edge of Power\_Down.

### SYNC

The SYNC pin (Active LOW) has a complementary register location located in Device Register 8 bit 8. When enabled, Sync synchronizes all output dividers so that they begin counting simultaneously. Further, SYNC disables all outputs when in the active State.

## INPUT BLOCK

The Input Block includes two Universal Input Buffers, an Auxiliary Input. The Input Block drives three different clock signals onto the Internal Clock Distribution Bus.


**Figure 21. CDCE18005 Input Block With References to Registers**

**Universal Input Buffers (UIB)**

Figure 22 shows the key elements of a universal input buffer. A UIB supports multiple formats along with different termination and coupling schemes. The CDCE18005 implements the UIB by including on board switched termination, a programmable bias voltage generator, and an output multiplexer. The CDCE18005 provides a high degree of configurability on the UIB to facilitate most existing clock input formats.

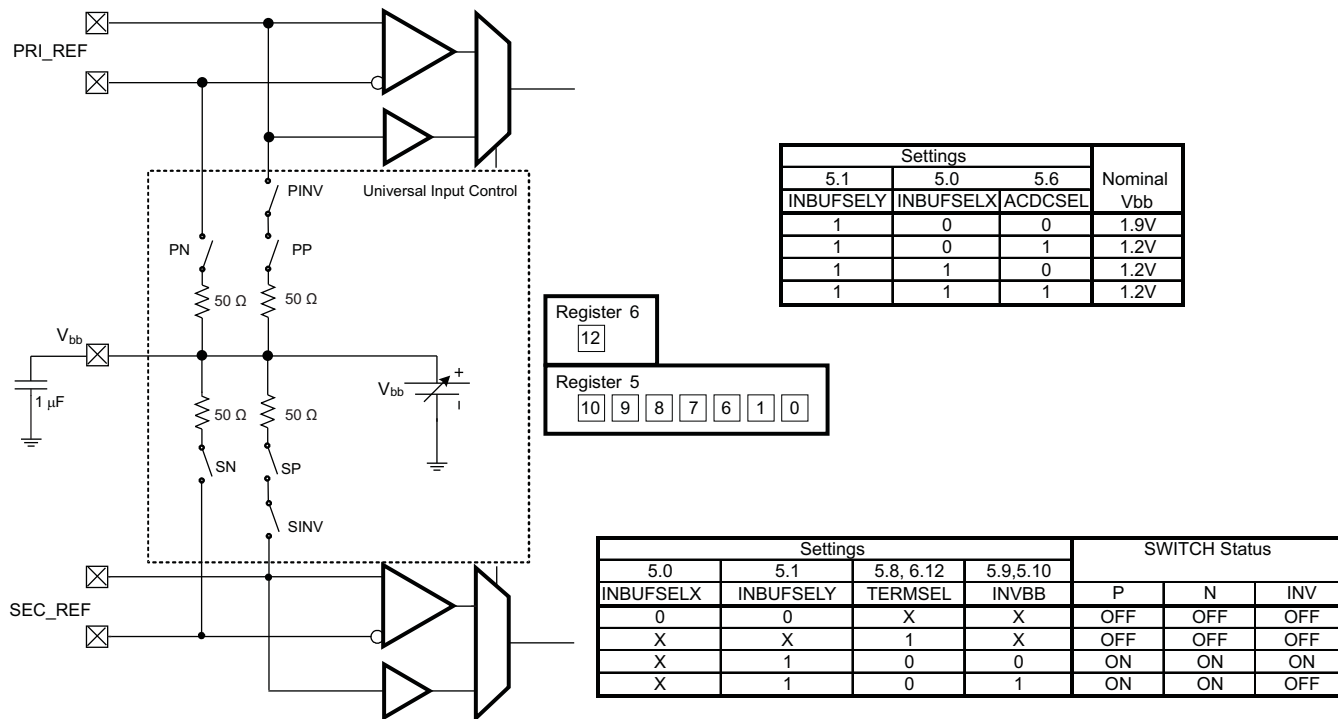


Figure 22. CDCE18005 Universal Input Buffer

Table 15 lists several settings for many possible clock input scenarios. Note that the two universal input buffers share the Vbb generator. Therefore, if both inputs use internal termination, they must use the same configuration mode (LVDS, LVPECL, or LVCMOS). If the application requires different modes (e.g. LVDS and LVPECL) then one of the two inputs must implement external termination.

Table 15. CDCE18005 Universal Input Buffer Configuration Matrix

PRI_REF CONFIGURATION MATRIX											
Register.Bit →	SETTINGS						CONFIGURATION				
	5.7	5.1	5.0	5.8	5.9	5.6	Hysteresis	Mode	Coupling	Termination	Vbb
Bit Name →	HYSTEN	INBUFSELY	INBUFSELX	PRI_TERMSEL	PRIINVBB	ACDCSEL					
	1	0	0	X	X	X	ENABLED	LVCMOS	DC	N/A	—
	1	1	0	0	0	0	ENABLED	LVPECL	AC	Internal	1.9V
	1	1	0	0	0	1	ENABLED	LVPECL	DC	Internal	1.2V
	1	1	0	1	X	X	ENABLED	LVPECL	—	External	—
	1	1	1	0	0	0	ENABLED	LVDS	AC	Internal	1.2V
	1	1	1	0	0	1	ENABLED	LVDS	DC	Internal	1.2V
	1	1	1	1	X	X	ENABLED	LVDS	—	External	—
	0	X	X	X	X	X	OFF	—	—	—	—
	1	X	X	X	X	X	ENABLED	—	—	—	—

**Table 15. CDCE18005 Universal Input Buffer Configuration Matrix (continued)**

PRI_REF CONFIGURATION MATRIX												
Register.Bit →	SETTINGS						CONFIGURATION					
	5.7	5.1	5.0	5.8	5.9	5.6	Hysteresis	Mode	Coupling	Termination	Vbb	
Bit Name →	HYSTEN	INBUFSELY	INBUFSELX	PRI_TERMSEL	PRIINVBB	ACDCSEL						
SEC_REF CONFIGURATION MATRIX												
Register.Bit →	SETTINGS						CONFIGURATION					
	5.7	5.1	5.0	6.12	5.10	5.6	Hysteresis	Mode	Coupling	Termination	Vbb	
Bit Name →	HYSTEN	INBUFSELY	INBUFSELX	SEC_TERMSEL	SECINVBB	ACDCSEL						
	1	0	0	X	X	X	ENABLED	LVCMOS	DC	N/A	—	
	1	1	0	0	0	0	ENABLED	LVPECL	AC	Internal	1.9V	
	1	1	0	0	0	1	ENABLED	LVPECL	DC	Internal	1.2V	
	1	1	0	1	X	X	ENABLED	LVPECL	—	External	—	
	1	1	1	0	0	0	ENABLED	LVDS	AC	Internal	1.2V	
	1	1	1	0	0	1	ENABLED	LVDS	DC	Internal	1.2V	
	1	1	1	1	X	X	ENABLED	LVDS	—	External	—	
	0	X	X	X	X	X	OFF	—	—	—	—	
	1	X	X	X	X	X	ENABLED	—	—	—	—	

**LVDS Fail Safe Mode**

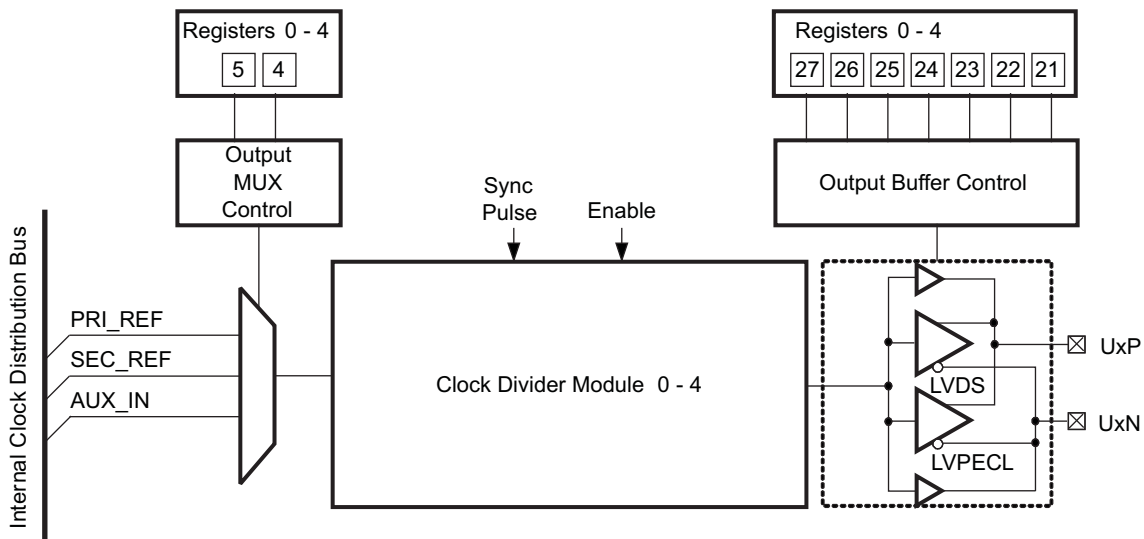
Differential data line receivers can switch on noise in the absence of an input signal. This occurs when the clock driver is turned off or the interconnect is damaged or missing. Traditionally the solution to this problem involves incorporating an external resistor network on the receiver input. This network applies a steady-state bias voltage to the input pins. The additional cost of the external components notwithstanding, the use of such a network lowers input signal magnitude and thus reduces the differential noise margin. The CDCE18005 provides internal failsafe circuitry on all LVDS inputs if enabled as shown in Table 16 for DC termination only.

**Table 16. LVDS Failsafe Settings**

Bit Name → Register.Bit →	FAILSAFE 5.11	LVDS Failsafe
	0	Disabled for all inputs
	1	Enabled for all inputs

**OUTPUT BLOCK**

The output block includes five identical output channels. Each output channel comprises an output multiplexer, a clock divider module, and a universal output buffer as shown in Figure 23.



**Figure 23. CDCE18005 Output Channel**



### Output Multiplexer Control

The output multiplexer selects which of the four clock sources available on the Internal Clock Distribution Bus will be presented to the Clock Divider Module. For a description of these clock sources, see [Figure 21](#).

**Table 17. CDCE18005 Output Multiplexer Control Settings**

OUTPUT MULTIPLEXER CONTROL			CLOCK SOURCE SELECTED
Register n (n = 0,1,2,3,4)			
OUTMUXnSELX n.4	OUTMUXnSELY n.5		
0	0		PRI_REF
0	1		SEC_REF
1	0		AUX_IN
1	1		Reserved

### Output Buffer Control

Each of the five output channels includes a programmable output buffer; supporting LVPECL, LVDS, and LVCMOS modes. [Table 18](#) lists the settings required to configure the CDCE18005 for each output type. Registers 0 through 4 correspond to Output Channels 0 through 4 respectively.

**Table 18. CDCE18005 Output Buffer Control Settings**

OUTPUT BUFFER CONTROL						OUTPUT TYPE
Register n (n = 0,1,2,3,4)						
CMOSMODEnPX n.22	CMOSMODEnPY n.23	CMOSMODEnNX n.24	CMOSMODEnNY n.25	OUTBUFSELnX n.26	OUTBUFSELnY n.27	
0	0	0	0	0	1	LVPECL
0	1	0	1	1	1	LVDS
See LVCMOS Output Buffer Configuration Settings				0	0	LVCMOS
0	1	0	1	1	0	HI-Z

### Output Buffer Control – LVCMOS Configurations

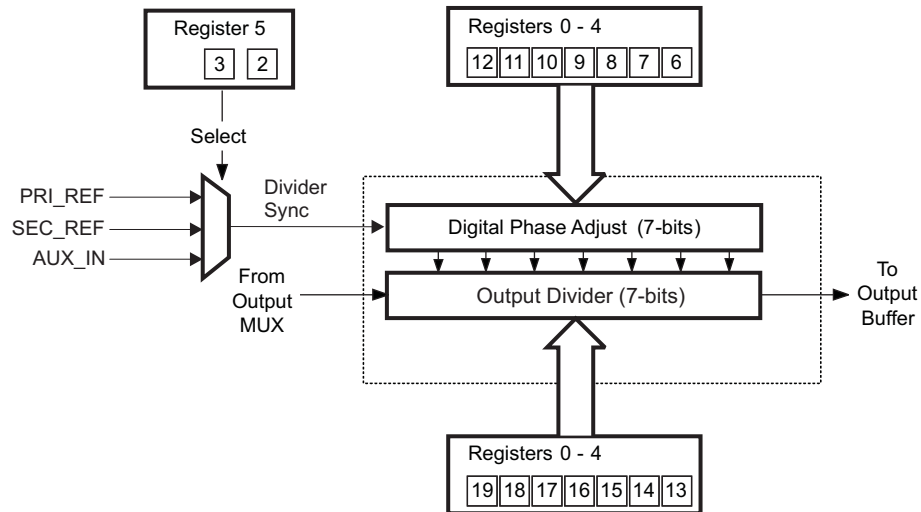
A LVCMOS output configuration requires additional configuration data. In the single ended configuration, each Output Channel provides a pair of outputs. The CDCE18005 supports four modes of operation for single ended outputs as listed in [Table 19](#).

**Table 19. LVCMOS Output Buffer Configuration Settings**

OUTPUT BUFFER CONTROL – LVCMOS CONFIGURATION						Output Type	Pin	Output Mode
Register n (n = 0,1,2,3,4)								
CMOSMODEnPX n.22	CMOSMODEnPY n.23	CMOSMODEnNX n.24	CMOSMODEnNY n.25	OUTBUFSELnX n.26	OUTBUFSELnY n.27			
X	X	0	0	0	0	LVCMOS	Negative	Active – Non-inverted
X	X	0	1	0	0	LVCMOS	Negative	Hi-Z
X	X	1	0	0	0	LVCMOS	Negative	Active – Non-inverted
X	X	1	1	0	0	LVCMOS	Negative	Low
0	0	X	X	0	0	LVCMOS	Positive	Active – Non-inverted
0	1	X	X	0	0	LVCMOS	Positive	Hi-Z
1	0	X	X	0	0	LVCMOS	Positive	Active – Non-inverted
1	1	X	X	0	0	LVCMOS	Positive	Low

**Output Dividers**

Figure 24 shows that each output channel provides a 7-bit divider and digital phase adjust block. Table 20 lists the divide ratios supported by the output divider for each output channel. The output divider's maximum input frequency is limited to 1.175GHz. If the divider is bypassed (divide ratio = 1) then the maximum frequency of the output channel is 1.5GHz.



**Figure 24. CDCE18005 Output Divider and Phase Adjust**

**Table 20. CDCE18005 Output Divider Settings**

OUTPUT DIVIDER n SETTINGS Register n (n = 0,1,2,3,4)								Output Divide Ratio			
Multiplexer		Integer Divider			Prescaler			Prescaler Setting	Integer Divider Setting	Output Channels 0–4	Auxiliary Output
OUTnDIVSEL6	OUTnDIVSEL5	OUTnDIVSEL4	OUTnDIVSEL3	OUTnDIVSEL2	OUTnDIVSEL1	OutnDIVSEL0	OUTnDIVSEL				
n.19	n.18	n.17	n.16	n.15	n.14	n.13	n.20				
X	X	X	X	X	X	X	0			OFF	OFF
0	1	0	0	0	0	0	1	–	–	1	OFF
1	0	0	0	0	0	0	1	2	–	2**	4
1	0	0	0	0	0	1	1	3	–	3**	6
1	0	0	0	0	1	0	1	4	–	4	8
1	0	0	0	0	1	1	1	5	–	5	10
0	0	0	0	0	0	1	1	3	2	6	6
0	0	0	0	0	1	0	1	4	2	8	8
0	0	0	0	0	1	1	1	5	2	10	10
0	0	0	0	1	0	1	1	3	4	12	12
0	0	0	0	1	1	0	1	4	4	16	16
0	0	0	0	1	1	1	1	5	4	20	20
0	0	0	1	0	0	1	1	3	6	18	18
0	0	0	1	0	1	0	1	4	6	24	24
0	0	0	1	0	1	1	1	5	6	30	30
0	0	0	1	1	1	0	1	4	8	32	32
0	0	0	1	1	1	1	1	5	8	40	40
0	0	1	0	0	1	1	1	5	10	50	50
0	0	1	0	1	0	1	1	3	12	36	36
0	0	1	0	1	1	0	1	4	12	48	48
0	0	1	0	1	1	1	1	5	12	60	60
0	0	1	1	0	0	0	1	2	14	28	28
0	0	1	1	0	0	1	1	3	14	42	42
0	0	1	1	0	1	0	1	4	14	56	56
0	0	1	1	0	1	1	1	5	14	70	70
0	0	1	1	1	1	0	1	4	16	64	64
0	0	1	1	1	1	1	1	5	16	80	80

\*\*Output channel 2 or 3 determine the auxiliary output divide ratio. For example, if the auxiliary output is programmed to drive via output 2 and output 2 divider is programmed to divide by 3, then the divide ratio for the auxiliary output will be 6.

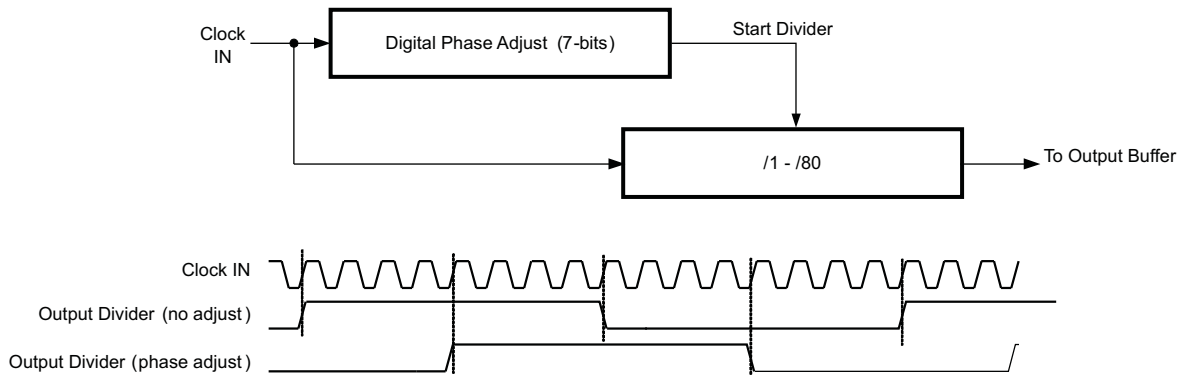
### Digital Phase Adjust

Figure 25 provides an overview of the Digital Phase Adjust feature. The output divider includes a coarse phase adjust that shifts the divided clock signal that drives the output buffer. Essentially, the Digital Phase Adjust timer delays when the output divider starts dividing; thereby shifting the phase of the output clock. The phase adjust resolution is a function of the divide function. Coarse phase adjust parameters include:

- **Number of Phase Delay Steps** – the number of phase delay steps available is equal to the divide ratio selected. For example, if a Divide by 4 is selected, then the Digital Phase Adjust can be programmed to select when the output divider changes state based upon selecting one of the four counts on the input. Figure 25 shows an example of divide by 16 in which there are 16 rising edges of Clock IN at which the output divider changes state (this particular example shows the fourth edge shifting the output by one fourth of the period of the output).
- **Phase Delay Step Size** – the step size is determined by the number of phase delay steps according to the following equations:

$$\text{Stepsize(deg)} = \frac{360 \text{ degrees}}{\text{OutputDivideRatio}} \quad (1)$$

$$\text{Stepsize(sec)} = \frac{\frac{1}{f_{\text{ClockIN}}}}{\text{OutputDivideRatio}} \quad (2)$$



**Figure 25. CDCE18005 Phase Adjust**

### Phase Adjust example

**Given:**

Output Frequency: 30.72 MHz

Input Frequency: 491.52 MHz

Output Divider Setting: 16

$$\text{Stepsize(deg)} = \frac{360}{16} = 22.5^\circ/\text{Step} \quad (3)$$

The tables that follow provide a list of valid register settings for the digital phase adjust blocks.

**Table 21. CDCE18005 Output Coarse Phase Adjust Settings (1)**

Divide Ratio	PHnADGC6	PHnADGC5	PHnADGC4	PHnADGC3	PHnADGC2	PHnADGC1	PHnADGC0	Phase Delay (radian)
	n.12	n.11	n.10	n.9	n.8	n.7	n.6	
1	0	0	0	0	0	0	0	0
2	0	0	0	0	0	0	0	0
	0	0	0	0	0	0	1	(2π/2)
3	0	0	0	0	0	0	0	0
	0	0	0	0	0	0	1	(2π/3)
	0	0	0	0	0	1	0	2(2π/3)
4	0	0	0	0	0	0	0	0
	0	0	0	0	0	0	1	(2π/4)
	0	0	0	0	0	1	0	2(2π/4)
	0	0	0	0	0	1	1	3(2π/4)
5	0	0	0	0	0	0	0	0
	0	0	0	0	0	0	1	(2π/5)
	0	0	0	0	0	1	0	2(2π/5)
	0	0	0	0	0	1	1	3(2π/5)
	0	0	0	0	1	0	0	4(2π/5)
6	0	0	0	0	0	0	0	0
	0	0	0	0	0	0	1	(2π/6)
	0	0	0	0	0	1	0	2(2π/6)
	1	0	0	0	0	0	0	3(2π/6)
	1	0	0	0	0	0	1	4(2π/6)
	1	0	0	0	0	1	0	5(2π/6)
8	0	0	0	0	0	0	0	0
	0	0	0	0	0	0	1	(2π/8)
	0	0	0	0	0	1	0	2(2π/8)
	0	0	0	0	0	1	1	3(2π/8)
	1	0	0	0	0	0	0	4(2π/8)
	1	0	0	0	0	0	1	5(2π/8)
	1	0	0	0	0	1	0	6(2π/8)
	1	0	0	0	0	1	1	7(2π/8)
10	0	0	0	0	0	0	0	0
	0	0	0	0	0	0	1	(2π/10)
	0	0	0	0	0	1	0	2(2π/10)
	0	0	0	0	0	1	1	3(2π/10)
	0	0	0	0	1	0	0	4(2π/10)
	1	0	0	0	0	0	0	5(2π/10)
	1	0	0	0	0	0	1	6(2π/10)
	1	0	0	0	0	1	0	7(2π/10)
	1	0	0	0	0	1	1	8(2π/10)
	1	0	0	0	1	0	0	9(2π/10)
12	0	0	0	0	0	0	0	0
	0	0	0	0	0	0	1	(2π/12)
	0	0	0	0	0	1	0	2(2π/12)
	0	0	0	1	0	0	0	3(2π/12)
	0	0	0	1	0	0	1	4(2π/12)
	0	0	0	1	0	1	0	5(2π/12)
	0	0	1	0	0	0	0	6(2π/12)
	0	0	1	0	0	0	1	7(2π/12)
	0	0	1	0	0	1	0	8(2π/12)
	0	0	1	1	0	0	0	9(2π/12)
	0	0	1	1	0	0	1	10(2π/12)
	0	0	1	1	0	1	0	11(2π/12)
16	0	0	0	0	0	0	0	0
	0	0	0	0	0	0	1	(2π/16)
	0	0	0	0	0	1	0	2(2π/16)
	0	0	0	0	0	1	1	3(2π/16)
	0	0	0	1	0	0	0	4(2π/16)
	0	0	0	1	0	0	1	5(2π/16)
	0	0	0	1	0	1	0	6(2π/16)
	0	0	0	1	0	1	1	7(2π/16)
	0	0	1	0	0	0	0	8(2π/16)
	0	0	1	0	0	0	1	9(2π/16)
	0	0	1	0	0	1	0	10(2π/16)
	0	0	1	0	0	1	1	11(2π/16)
	0	0	1	1	0	0	0	12(2π/16)
	0	0	1	1	0	0	1	13(2π/16)
	0	0	1	1	0	1	0	14(2π/16)
	0	0	1	1	0	1	1	15(2π/16)

Divide Ratio	PHnADGC6	PHnADGC5	PHnADGC4	PHnADGC3	PHnADGC2	PHnADGC1	PHnADGC0	Phase Delay (radian)
	n.12	n.11	n.10	n.9	n.8	n.7	n.6	
18	0	0	0	0	0	0	0	0
	0	0	0	0	0	0	1	(2π/18)
	0	0	0	0	0	1	0	2(2π/18)
	0	0	0	1	0	0	0	3(2π/18)
	0	0	0	1	0	0	1	4(2π/18)
	0	0	0	1	0	1	0	5(2π/18)
	0	0	1	0	0	0	0	6(2π/18)
	0	0	1	0	0	0	1	7(2π/18)
	0	0	1	0	0	1	0	8(2π/18)
	0	0	1	1	0	0	0	9(2π/18)
	0	0	1	1	0	0	1	10(2π/18)
	0	0	1	1	0	1	0	11(2π/18)
	0	1	0	0	0	0	0	12(2π/18)
	0	1	0	0	0	0	1	13(2π/18)
	0	1	0	0	0	1	0	14(2π/18)
	0	1	0	1	0	0	0	15(2π/18)
	0	1	0	1	0	0	1	16(2π/18)
	0	1	0	1	0	1	0	17(2π/18)
20	0	0	0	0	0	0	0	0
	0	0	0	0	0	0	1	(2π/20)
	0	0	0	0	0	1	0	2(2π/20)
	0	0	0	0	0	1	1	3(2π/20)
	0	0	0	0	1	0	0	4(2π/20)
	0	0	0	1	0	0	0	5(2π/20)
	0	0	0	1	0	0	1	6(2π/20)
	0	0	0	1	0	1	0	7(2π/20)
	0	0	0	1	0	1	1	8(2π/20)
	0	0	0	1	1	0	0	9(2π/20)
	0	0	1	0	0	0	0	10(2π/20)
	0	0	1	0	0	0	1	11(2π/20)
	0	0	1	0	0	1	0	12(2π/20)
	0	0	1	0	0	1	1	13(2π/20)
	0	0	1	1	0	0	0	14(2π/20)
	0	0	1	1	0	0	1	15(2π/20)
	0	0	1	1	0	1	0	16(2π/20)
	0	0	1	1	1	0	0	17(2π/20)
	0	0	1	1	1	0	1	18(2π/20)
	0	0	1	1	1	0	0	19(2π/20)
24	0	0	0	0	0	0	0	0
	0	0	0	0	0	0	1	(2π/24)
	0	0	0	0	0	1	0	2(2π/24)
	0	0	0	0	0	1	1	3(2π/24)
	0	0	0	1	0	0	0	4(2π/24)
	0	0	0	1	0	0	1	5(2π/24)
	0	0	0	1	0	1	0	6(2π/24)
	0	0	0	1	0	1	1	7(2π/24)
	0	0	1	0	0	0	0	8(2π/24)
	0	0	1	0	0	0	1	9(2π/24)
	0	0	1	0	0	1	0	10(2π/24)
	0	0	1	0	0	1	1	11(2π/24)
	0	0	1	1	0	0	0	12(2π/24)
	0	0	1	1	0	0	1	13(2π/24)
	0	0	1	1	0	1	0	14(2π/24)
	0	0	1	1	0	1	1	15(2π/24)
	0	1	0	0	0	0	0	16(2π/24)
	0	1	0	0	0	0	1	17(2π/24)
	0	1	0	0	0	1	0	18(2π/24)
	0	1	0	0	0	1	1	19(2π/24)
	0	1	0	1	0	0	0	20(2π/24)
	0	1	0	1	0	0	1	21(2π/24)
	0	1	0	1	0	1	0	22(2π/24)
	0	1	0	1	0	1	1	23(2π/24)

Table 22. CDCE18005 Output Coarse Phase Adjust Settings (2)

Divide Ratio	PHnADGC6	PHnADGC5	PHnADGC4	PHnADGC3	PHnADGC2	PHnADGC1	PHnADGC0	Phase Delay (radian)
	n.12	n.11	n.10	n.9	n.8	n.7	n.6	
28	0	0	0	0	0	0	0	0
	0	0	0	0	0	0	1	$(2\pi/28)$
	0	0	0	1	0	0	0	$2(2\pi/28)$
	0	0	0	1	0	0	1	$3(2\pi/28)$
	0	0	1	0	0	0	0	$4(2\pi/28)$
	0	0	1	0	0	0	1	$5(2\pi/28)$
	0	0	1	1	0	0	0	$6(2\pi/28)$
	0	0	1	1	0	0	1	$7(2\pi/28)$
	0	1	0	0	0	0	0	$8(2\pi/28)$
	0	1	0	0	0	0	1	$9(2\pi/28)$
	0	1	0	1	0	0	0	$10(2\pi/28)$
	0	1	0	1	0	0	1	$11(2\pi/28)$
	0	1	1	0	0	0	0	$12(2\pi/28)$
	0	1	1	0	0	0	1	$13(2\pi/28)$
	1	0	0	0	0	0	0	$14(2\pi/28)$
	1	0	0	0	0	0	1	$15(2\pi/28)$
	1	0	0	1	0	0	0	$16(2\pi/28)$
	1	0	0	1	0	0	1	$17(2\pi/28)$
	1	0	1	0	0	0	0	$18(2\pi/28)$
	1	0	1	0	0	0	1	$19(2\pi/28)$
	1	0	1	1	0	0	0	$20(2\pi/28)$
	1	0	1	1	0	0	1	$21(2\pi/28)$
	1	1	0	0	0	0	0	$22(2\pi/28)$
	1	1	0	0	0	0	1	$23(2\pi/28)$
	1	1	0	1	0	0	0	$24(2\pi/28)$
	1	1	0	1	0	0	1	$25(2\pi/28)$
	1	1	1	0	0	0	0	$26(2\pi/28)$
	1	1	1	0	0	0	1	$27(2\pi/28)$
30	0	0	0	0	0	0	0	0
	0	0	0	0	0	0	1	$(2\pi/30)$
	0	0	0	0	0	1	0	$2(2\pi/30)$
	0	0	0	0	0	1	1	$3(2\pi/30)$
	0	0	0	0	1	0	0	$4(2\pi/30)$
	0	0	0	1	0	0	0	$5(2\pi/30)$
	0	0	0	1	0	0	1	$6(2\pi/30)$
	0	0	0	1	0	1	0	$7(2\pi/30)$
	0	0	0	1	0	1	1	$8(2\pi/30)$
	0	0	0	1	1	0	0	$9(2\pi/30)$
	0	0	1	0	0	0	0	$10(2\pi/30)$
	0	0	1	0	0	0	1	$11(2\pi/30)$
	0	0	1	0	0	1	0	$12(2\pi/30)$
	0	0	1	0	0	1	1	$13(2\pi/30)$
	0	0	1	0	1	0	0	$14(2\pi/30)$
	0	0	1	1	0	0	0	$15(2\pi/30)$
	0	0	1	1	0	0	1	$16(2\pi/30)$
	0	0	1	1	0	1	0	$17(2\pi/30)$
	0	0	1	1	0	1	1	$18(2\pi/30)$
	0	0	1	1	1	0	0	$19(2\pi/30)$
	0	1	0	0	0	0	0	$20(2\pi/30)$
	0	1	0	0	0	0	1	$21(2\pi/30)$
	0	1	0	0	0	1	0	$22(2\pi/30)$
	0	1	0	0	0	1	1	$23(2\pi/30)$
	0	1	0	0	1	0	0	$24(2\pi/30)$
	0	1	0	1	0	0	0	$25(2\pi/30)$
	0	1	0	1	0	0	1	$26(2\pi/30)$
	0	1	0	1	0	1	0	$27(2\pi/30)$
	0	1	0	1	0	1	1	$28(2\pi/30)$
	0	1	0	1	1	0	0	$29(2\pi/30)$

Divide Ratio	PHnADGC6	PHnADGC5	PHnADGC4	PHnADGC3	PHnADGC2	PHnADGC1	PHnADGC0	Phase Delay (radian)
	n.12	n.11	n.10	n.9	n.8	n.7	n.6	
32	0	0	0	0	0	0	0	0
	0	0	0	0	0	0	1	$(2\pi/32)$
	0	0	0	0	0	1	0	$2(2\pi/32)$
	0	0	0	0	0	1	1	$3(2\pi/32)$
	0	0	0	1	0	0	0	$4(2\pi/32)$
	0	0	0	1	0	0	1	$5(2\pi/32)$
	0	0	0	1	0	1	0	$6(2\pi/32)$
	0	0	0	1	0	1	1	$7(2\pi/32)$
	0	0	1	0	0	0	0	$8(2\pi/32)$
	0	0	1	0	0	0	1	$9(2\pi/32)$
	0	0	1	0	0	1	0	$10(2\pi/32)$
	0	0	1	0	0	1	1	$11(2\pi/32)$
	0	0	1	1	0	0	0	$12(2\pi/32)$
	0	0	1	1	0	0	1	$13(2\pi/32)$
	0	0	1	1	0	1	0	$14(2\pi/32)$
	0	0	1	1	0	1	1	$15(2\pi/32)$
	0	1	0	0	0	0	0	$16(2\pi/32)$
	0	1	0	0	0	0	1	$17(2\pi/32)$
	0	1	0	0	0	1	0	$18(2\pi/32)$
	0	1	0	0	0	1	1	$19(2\pi/32)$
	0	1	0	1	0	0	0	$20(2\pi/32)$
	0	1	0	1	0	0	1	$21(2\pi/32)$
	0	1	0	1	0	1	0	$22(2\pi/32)$
	0	1	0	1	0	1	1	$23(2\pi/32)$
	0	1	1	0	0	0	0	$24(2\pi/32)$
	0	1	1	0	0	0	1	$25(2\pi/32)$
	0	1	1	0	0	1	0	$26(2\pi/32)$
	0	1	1	0	0	1	1	$27(2\pi/32)$
	0	1	1	1	0	0	0	$28(2\pi/32)$
	0	1	1	1	0	0	1	$29(2\pi/32)$
	0	1	1	1	0	1	0	$30(2\pi/32)$
	0	1	1	1	0	1	1	$31(2\pi/32)$
36	0	0	0	0	0	0	0	0
	0	0	0	0	0	0	1	$(2\pi/36)$
	0	0	0	0	0	1	0	$2(2\pi/36)$
	0	0	0	1	0	0	0	$3(2\pi/36)$
	0	0	0	1	0	0	1	$4(2\pi/36)$
	0	0	0	1	0	1	0	$5(2\pi/36)$
	0	0	0	1	0	1	1	$6(2\pi/36)$
	0	0	1	0	0	0	0	$7(2\pi/36)$
	0	0	1	0	0	1	0	$8(2\pi/36)$
	0	0	1	0	0	1	1	$9(2\pi/36)$
	0	0	1	1	0	0	0	$10(2\pi/36)$
	0	0	1	1	0	0	1	$11(2\pi/36)$
	0	0	1	1	0	0	0	$12(2\pi/36)$
	0	1	0	0	0	0	0	$13(2\pi/36)$
	0	1	0	0	0	0	1	$14(2\pi/36)$
	0	1	0	0	0	0	0	$15(2\pi/36)$
	0	1	0	1	0	0	0	$16(2\pi/36)$
	0	1	0	1	0	0	1	$17(2\pi/36)$
	1	0	0	0	0	0	0	$18(2\pi/36)$
	1	0	0	0	0	0	1	$19(2\pi/36)$
	1	0	0	0	0	1	0	$20(2\pi/36)$
	1	0	0	1	0	0	0	$21(2\pi/36)$
	1	0	0	1	0	0	1	$22(2\pi/36)$
	1	0	0	1	0	1	0	$23(2\pi/36)$
	1	0	1	0	0	0	0	$24(2\pi/36)$
	1	0	1	0	0	0	1	$25(2\pi/36)$
	1	0	1	0	0	1	0	$26(2\pi/36)$
	1	0	1	1	0	0	0	$27(2\pi/36)$
	1	0	1	1	0	0	1	$28(2\pi/36)$
	1	0	1	1	0	1	0	$29(2\pi/36)$
	1	1	0	0	0	0	0	$30(2\pi/36)$
	1	1	0	0	0	0	1	$31(2\pi/36)$
	1	1	0	0	0	1	0	$32(2\pi/36)$
	1	1	0	1	0	0	0	$33(2\pi/36)$
	1	1	0	1	0	0	1	$34(2\pi/36)$
	1	1	0	1	0	1	0	$35(2\pi/36)$



Table 23. CDCE18005 Output Coarse Phase Adjust Settings (3)

Divide Ratio	PHnADGC6	PHnADGC5	PHnADGC4	PHnADGC3	PHnADGC2	PHnADGC1	PHnADGC0	Phase Delay (radian)
	n.12	n.11	n.10	n.9	n.8	n.7	n.6	
40	0	0	0	0	0	0	0	0
	0	0	0	0	0	0	1	(2π/40)
	0	0	0	0	0	1	0	2(2π/40)
	0	0	0	0	0	1	1	3(2π/40)
	0	0	0	0	1	0	0	4(2π/40)
	0	0	0	1	0	0	0	5(2π/40)
	0	0	0	1	0	0	1	6(2π/40)
	0	0	0	1	0	1	0	7(2π/40)
	0	0	0	1	0	1	1	8(2π/40)
	0	0	0	1	1	0	0	9(2π/40)
	0	0	1	0	0	0	0	10(2π/40)
	0	0	1	0	0	0	1	11(2π/40)
	0	0	1	0	0	1	0	12(2π/40)
	0	0	1	0	0	1	1	13(2π/40)
	0	0	1	0	1	0	0	14(2π/40)
	0	0	1	1	0	0	0	15(2π/40)
	0	0	1	1	0	0	1	16(2π/40)
	0	0	1	1	0	1	0	17(2π/40)
	0	0	1	1	0	1	1	18(2π/40)
	0	0	1	1	1	0	0	19(2π/40)
	0	1	0	0	0	0	0	20(2π/40)
	0	1	0	0	0	0	1	21(2π/40)
	0	1	0	0	0	1	0	22(2π/40)
	0	1	0	0	0	1	1	23(2π/40)
	0	1	0	0	1	0	0	24(2π/40)
	0	1	0	1	0	0	0	25(2π/40)
	0	1	0	1	0	0	1	26(2π/40)
	0	1	0	1	0	1	0	27(2π/40)
	0	1	0	1	0	1	1	28(2π/40)
	0	1	0	1	1	0	0	29(2π/40)
	0	1	1	0	0	0	0	30(2π/40)
	0	1	1	0	0	0	1	31(2π/40)
	0	1	1	0	0	1	0	32(2π/40)
	0	1	1	0	0	1	1	33(2π/40)
	0	1	1	0	1	0	0	34(2π/40)
	0	1	1	1	0	0	0	35(2π/40)
	0	1	1	1	0	0	1	36(2π/40)
	0	1	1	1	0	1	0	37(2π/40)
	0	1	1	1	0	1	1	38(2π/40)
	0	1	1	1	1	0	0	39(2π/40)
42	0	0	0	0	0	0	0	0
	0	0	0	0	0	0	1	(2π/42)
	0	0	0	0	0	0	1	2(2π/42)
	0	0	0	1	0	0	0	3(2π/42)
	0	0	0	1	0	0	1	4(2π/42)
	0	0	0	1	0	1	0	5(2π/42)
	0	0	1	0	0	0	0	6(2π/42)
	0	0	1	0	0	0	1	7(2π/42)
	0	0	1	0	0	1	0	8(2π/42)
	0	0	1	1	0	0	0	9(2π/42)
	0	0	1	1	0	0	1	10(2π/42)
	0	0	1	1	0	1	0	11(2π/42)
	0	1	0	0	0	0	0	12(2π/42)
	0	1	0	0	0	0	1	13(2π/42)
	0	1	0	0	0	1	0	14(2π/42)
	0	1	0	1	0	0	0	15(2π/42)
	0	1	0	1	0	0	1	16(2π/42)
	0	1	0	1	0	1	0	17(2π/42)
	0	1	1	0	0	0	0	18(2π/42)
	0	1	1	0	0	0	1	19(2π/42)
	0	1	1	0	0	1	0	20(2π/42)
	1	0	0	0	0	0	0	21(2π/42)
	1	0	0	0	0	0	1	22(2π/42)
	1	0	0	0	0	1	0	23(2π/42)
	1	0	0	1	0	0	0	24(2π/42)
	1	0	0	1	0	0	1	25(2π/42)
	1	0	0	1	0	1	0	26(2π/42)
	1	0	1	0	0	0	0	27(2π/42)
	1	0	1	0	0	0	1	28(2π/42)
	1	0	1	0	0	1	0	29(2π/42)
	1	0	1	1	0	0	0	30(2π/42)
	1	0	1	1	0	0	1	31(2π/42)
	1	0	1	1	0	1	0	32(2π/42)
	1	1	0	0	0	0	0	33(2π/42)
	1	1	0	0	0	0	1	34(2π/42)
	1	1	0	0	0	1	0	35(2π/42)
	1	1	0	1	0	0	0	36(2π/42)
	1	1	0	1	0	0	1	37(2π/42)
	1	1	0	1	0	1	0	38(2π/42)
	1	1	1	0	0	0	0	39(2π/42)
	1	1	1	0	0	0	1	40(2π/42)
	1	1	1	0	0	1	0	41(2π/42)

Divide Ratio	PHnADGC6	PHnADGC5	PHnADGC4	PHnADGC3	PHnADGC2	PHnADGC1	PHnADGC0	Phase Delay (radian)
	n.12	n.11	n.10	n.9	n.8	n.7	n.6	
48	0	0	0	0	0	0	0	0
	0	0	0	0	0	0	1	(2π/48)
	0	0	0	0	0	1	0	2(2π/48)
	0	0	0	0	0	1	1	3(2π/48)
	0	0	0	1	0	0	0	4(2π/48)
	0	0	0	1	0	0	1	5(2π/48)
	0	0	0	1	0	1	0	6(2π/48)
	0	0	0	1	0	1	1	7(2π/48)
	0	0	1	0	0	0	0	8(2π/48)
	0	0	1	0	0	0	1	9(2π/48)
	0	0	1	0	0	1	0	10(2π/48)
	0	0	1	0	0	1	1	11(2π/48)
	0	0	1	1	0	0	0	12(2π/48)
	0	0	1	1	0	0	1	13(2π/48)
	0	0	1	1	0	1	0	14(2π/48)
	0	0	1	1	0	1	1	15(2π/48)
	0	1	0	0	0	0	0	16(2π/48)
	0	1	0	0	0	0	1	17(2π/48)
	0	1	0	0	0	1	0	18(2π/48)
	0	1	0	0	0	1	1	19(2π/48)
	0	1	0	1	0	0	0	20(2π/48)
	0	1	0	1	0	0	1	21(2π/48)
	0	1	0	1	0	1	0	22(2π/48)
	0	1	0	1	0	1	1	23(2π/48)
	1	0	0	0	0	0	0	24(2π/48)
	1	0	0	0	0	0	1	25(2π/48)
	1	0	0	0	0	1	0	26(2π/48)
	1	0	0	0	0	1	1	27(2π/48)
	1	0	0	1	0	0	0	28(2π/48)
	1	0	0	1	0	0	1	29(2π/48)
	1	0	0	1	0	1	0	30(2π/48)
	1	0	0	1	0	1	1	31(2π/48)
	1	0	1	0	0	0	0	32(2π/48)
	1	0	1	0	0	0	1	33(2π/48)
	1	0	1	0	0	1	0	34(2π/48)
	1	0	1	0	0	1	1	35(2π/48)
	1	0	1	1	0	0	0	36(2π/48)
	1	0	1	1	0	0	1	37(2π/48)
	1	0	1	1	0	1	0	38(2π/48)
	1	0	1	1	0	1	1	39(2π/48)
	1	1	0	0	0	0	0	40(2π/48)
	1	1	0	0	0	0	1	41(2π/48)
	1	1	0	0	0	1	0	42(2π/48)
	1	1	0	0	0	1	1	43(2π/48)
	1	1	0	1	0	0	0	44(2π/48)
	1	1	0	1	0	0	1	45(2π/48)
	1	1	0	1	0	1	0	46(2π/48)
	1	1	0	1	0	1	1	47(2π/48)



**Table 24. CDCE18005 Output Coarse Phase Adjust Settings (4)**

Divide Ratio	PHnADGC6	PHnADGC5	PHnADGC4	PHnADGC3	PHnADGC2	PHnADGC1	PHnADGC0	Phase Delay (radian)
	n.12	n.11	n.10	n.9	n.8	n.7	n.6	
50	0	0	0	0	0	0	0	0
	0	0	0	0	0	0	1	(2π/50)
	0	0	0	0	0	1	0	2(2π/50)
	0	0	0	0	0	1	1	3(2π/50)
	0	0	0	0	1	0	0	4(2π/50)
	0	0	0	1	0	0	0	5(2π/50)
	0	0	0	1	0	0	1	6(2π/50)
	0	0	0	1	0	1	0	7(2π/50)
	0	0	0	1	0	1	1	8(2π/50)
	0	0	0	1	1	0	0	9(2π/50)
	0	0	1	0	0	0	0	10(2π/50)
	0	0	1	0	0	0	1	11(2π/50)
	0	0	1	0	0	1	0	12(2π/50)
	0	0	1	0	0	1	1	13(2π/50)
	0	0	1	0	1	0	0	14(2π/50)
	0	0	1	1	0	0	0	15(2π/50)
	0	0	1	1	0	0	1	16(2π/50)
	0	0	1	1	0	1	0	17(2π/50)
	0	0	1	1	0	1	1	18(2π/50)
	0	0	1	1	1	0	0	19(2π/50)
	0	1	0	0	0	0	0	20(2π/50)
	0	1	0	0	0	0	1	21(2π/50)
	0	1	0	0	0	1	0	22(2π/50)
	0	1	0	0	0	1	1	23(2π/50)
	0	1	0	0	1	0	0	24(2π/50)
	1	0	0	0	0	0	0	25(2π/50)
	1	0	0	0	0	0	1	26(2π/50)
	1	0	0	0	0	1	0	27(2π/50)
	1	0	0	0	0	1	1	28(2π/50)
	1	0	0	0	1	0	0	29(2π/50)
	1	0	0	1	0	0	0	30(2π/50)
	1	0	0	1	0	0	1	31(2π/50)
	1	0	0	1	0	1	0	32(2π/50)
	1	0	0	1	0	1	1	33(2π/50)
	1	0	0	1	1	0	0	34(2π/50)
	1	0	1	0	0	0	0	35(2π/50)
	1	0	1	0	0	0	1	36(2π/50)
	1	0	1	0	0	1	0	37(2π/50)
	1	0	1	0	0	1	1	38(2π/50)
	1	0	1	0	1	0	0	39(2π/50)
	1	0	1	1	0	0	0	40(2π/50)
	1	0	1	1	0	0	1	41(2π/50)
	1	0	1	1	0	1	0	42(2π/50)
	1	0	1	1	0	1	1	43(2π/50)
	1	0	1	1	1	0	0	44(2π/50)
	1	1	0	0	0	0	0	45(2π/50)
	1	1	0	0	0	0	1	46(2π/50)
	1	1	0	0	0	1	0	47(2π/50)
	1	1	0	0	0	1	1	48(2π/50)
	1	1	0	0	1	0	0	49(2π/50)

Divide Ratio	PHnADGC6	PHnADGC5	PHnADGC4	PHnADGC3	PHnADGC2	PHnADGC1	PHnADGC0	Phase Delay (radian)
	n.12	n.11	n.10	n.9	n.8	n.7	n.6	
56	0	0	0	0	0	0	0	0
	0	0	0	0	0	0	1	(2π/56)
	0	0	0	0	0	1	0	2(2π/56)
	0	0	0	0	0	1	1	3(2π/56)
	0	0	0	1	0	0	0	4(2π/56)
	0	0	0	1	0	0	1	5(2π/56)
	0	0	0	1	0	1	0	6(2π/56)
	0	0	0	1	0	1	1	7(2π/56)
	0	0	1	0	0	0	0	8(2π/56)
	0	0	1	0	0	0	1	9(2π/56)
	0	0	1	0	0	1	0	10(2π/56)
	0	0	1	0	0	1	1	11(2π/56)
	0	0	1	1	0	0	0	12(2π/56)
	0	0	1	1	0	0	1	13(2π/56)
	0	0	1	1	0	1	0	14(2π/56)
	0	0	1	1	0	1	1	15(2π/56)
	0	1	0	0	0	0	0	16(2π/56)
	0	1	0	0	0	0	1	17(2π/56)
	0	1	0	0	0	1	0	18(2π/56)
	0	1	0	0	0	1	1	19(2π/56)
	0	1	0	1	0	0	0	20(2π/56)
	0	1	0	1	0	0	1	21(2π/56)
	0	1	0	1	0	1	0	22(2π/56)
	0	1	0	1	0	1	1	23(2π/56)
	0	1	1	0	0	0	0	24(2π/56)
	0	1	1	0	0	0	1	25(2π/56)
	0	1	1	0	0	1	0	26(2π/56)
	0	1	1	0	0	1	1	27(2π/56)
	1	0	0	0	0	0	0	28(2π/56)
	1	0	0	0	0	0	1	29(2π/56)
	1	0	0	0	0	1	0	30(2π/56)
	1	0	0	0	0	1	1	31(2π/56)
	1	0	0	1	0	0	0	32(2π/56)
	1	0	0	1	0	0	1	33(2π/56)
	1	0	0	1	0	1	0	34(2π/56)
	1	0	0	1	0	1	1	35(2π/56)
	1	0	1	0	0	0	0	36(2π/56)
	1	0	1	0	0	0	1	37(2π/56)
	1	0	1	0	0	1	0	38(2π/56)
	1	0	1	0	0	1	1	39(2π/56)
	1	0	1	1	0	0	0	40(2π/56)
	1	0	1	1	0	0	1	41(2π/56)
	1	0	1	1	0	1	0	42(2π/56)
	1	0	1	1	0	1	1	43(2π/56)
	1	1	0	0	0	0	0	44(2π/56)
	1	1	0	0	0	0	1	45(2π/56)
	1	1	0	0	0	1	0	46(2π/56)
	1	1	0	0	0	1	1	47(2π/56)
	1	1	0	1	0	0	0	48(2π/56)
	1	1	0	1	0	0	1	49(2π/56)
	1	1	0	1	0	1	0	50(2π/56)
	1	1	0	1	0	1	1	51(2π/56)
	1	1	1	0	0	0	0	52(2π/56)
	1	1	1	0	0	0	1	53(2π/56)
	1	1	1	0	0	1	0	54(2π/56)
	1	1	1	0	0	1	1	55(2π/56)

**Table 25. CDCE18005 Output Coarse Phase Adjust Settings (5)**

Divide Ratio	PHnADGC6	PHnADGC5	PHnADGC4	PHnADGC3	PHnADGC2	PHnADGC1	PHnADGC0	Phase Delay (radian)
	n.12	n.11	n.10	n.9	n.8	n.7	n.6	
60	0	0	0	0	0	0	0	0
	0	0	0	0	0	0	1	(2π/60)
	0	0	0	0	0	1	0	2(2π/60)
	0	0	0	0	0	1	1	3(2π/60)
	0	0	0	0	1	0	0	4(2π/60)
	0	0	0	1	0	0	0	5(2π/60)
	0	0	0	1	0	0	1	6(2π/60)
	0	0	0	1	0	1	0	7(2π/60)
	0	0	0	1	0	1	1	8(2π/60)
	0	0	0	1	1	0	0	9(2π/60)
	0	0	1	0	0	0	0	10(2π/60)
	0	0	1	0	0	0	1	11(2π/60)
	0	0	1	0	0	1	0	12(2π/60)
	0	0	1	0	0	1	1	13(2π/60)
	0	0	1	0	1	0	0	14(2π/60)
	0	0	1	1	0	0	0	15(2π/60)
	0	0	1	1	0	0	1	16(2π/60)
	0	0	1	1	0	1	0	17(2π/60)
	0	0	1	1	0	1	1	18(2π/60)
	0	0	1	1	1	0	0	19(2π/60)
	0	1	0	0	0	0	0	20(2π/60)
	0	1	0	0	0	0	1	21(2π/60)
	0	1	0	0	0	1	0	22(2π/60)
	0	1	0	0	0	1	1	23(2π/60)
	0	1	0	0	1	0	0	24(2π/60)
	0	1	0	1	0	0	0	25(2π/60)
	0	1	0	1	0	0	1	26(2π/60)
	0	1	0	1	0	1	0	27(2π/60)
	0	1	0	1	0	1	1	28(2π/60)
	0	1	0	1	1	0	0	29(2π/60)
	1	0	0	0	0	0	0	30(2π/60)
	1	0	0	0	0	0	1	31(2π/60)
	1	0	0	0	0	1	0	32(2π/60)
	1	0	0	0	0	1	1	33(2π/60)
	1	0	0	0	1	0	0	34(2π/60)
	1	0	0	1	0	0	0	35(2π/60)
	1	0	0	1	0	0	1	36(2π/60)
	1	0	0	1	0	1	0	37(2π/60)
	1	0	0	1	0	1	1	38(2π/60)
	1	0	0	1	1	0	0	39(2π/60)
	1	0	1	0	0	0	0	40(2π/60)
	1	0	1	0	0	0	1	41(2π/60)
	1	0	1	0	0	1	0	42(2π/60)
	1	0	1	0	0	1	1	43(2π/60)
	1	0	1	0	1	0	0	44(2π/60)
	1	0	1	1	0	0	0	45(2π/60)
	1	0	1	1	0	0	1	46(2π/60)
	1	0	1	1	0	1	0	47(2π/60)
	1	0	1	1	0	1	1	48(2π/60)
	1	0	1	1	1	0	0	49(2π/60)
	1	1	0	0	0	0	0	50(2π/60)
	1	1	0	0	0	0	1	51(2π/60)
	1	1	0	0	0	1	0	52(2π/60)
	1	1	0	0	0	1	1	53(2π/60)
	1	1	0	0	1	0	0	54(2π/60)
	1	1	0	1	0	0	0	55(2π/60)
	1	1	0	1	0	0	1	56(2π/60)
	1	1	0	1	0	1	0	57(2π/60)
	1	1	0	1	0	1	1	58(2π/60)
	1	1	0	1	1	0	0	59(2π/60)

Divide Ratio	PHnADGC6	PHnADGC5	PHnADGC4	PHnADGC3	PHnADGC2	PHnADGC1	PHnADGC0	Phase Delay (radian)
	n.12	n.11	n.10	n.9	n.8	n.7	n.6	
64	0	0	0	0	0	0	0	0
	0	0	0	0	0	0	1	(2π/64)
	0	0	0	0	0	1	0	2(2π/64)
	0	0	0	0	0	1	1	3(2π/64)
	0	0	0	1	0	0	0	4(2π/64)
	0	0	0	1	0	0	1	5(2π/64)
	0	0	0	1	0	1	0	6(2π/64)
	0	0	0	1	0	1	1	7(2π/64)
	0	0	1	0	0	0	0	8(2π/64)
	0	0	1	0	0	0	1	9(2π/64)
	0	0	1	0	0	1	0	10(2π/64)
	0	0	1	0	0	1	1	11(2π/64)
	0	0	1	1	0	0	0	12(2π/64)
	0	0	1	1	0	0	1	13(2π/64)
	0	0	1	1	0	1	0	14(2π/64)
	0	0	1	1	0	1	1	15(2π/64)
	0	1	0	0	0	0	0	16(2π/64)
	0	1	0	0	0	0	1	17(2π/64)
	0	1	0	0	0	1	0	18(2π/64)
	0	1	0	0	0	1	1	19(2π/64)
	0	1	0	1	0	0	0	20(2π/64)
	0	1	0	1	0	0	1	21(2π/64)
	0	1	0	1	0	1	0	22(2π/64)
	0	1	0	1	0	1	1	23(2π/64)
	0	1	1	0	0	0	0	24(2π/64)
	0	1	1	0	0	0	1	25(2π/64)
	0	1	1	0	0	1	0	26(2π/64)
	0	1	1	0	0	1	1	27(2π/64)
	0	1	1	1	0	0	0	28(2π/64)
	0	1	1	1	0	0	1	29(2π/64)
	0	1	1	1	0	1	0	30(2π/64)
	0	1	1	1	0	1	1	31(2π/64)
	1	0	0	0	0	0	0	32(2π/64)
	1	0	0	0	0	0	1	33(2π/64)
	1	0	0	0	0	0	1	34(2π/64)
	1	0	0	0	0	1	0	35(2π/64)
	1	0	0	1	0	0	0	36(2π/64)
	1	0	0	1	0	0	1	37(2π/64)
	1	0	0	1	0	1	0	38(2π/64)
	1	0	0	1	0	1	1	39(2π/64)
	1	0	1	0	0	0	0	40(2π/64)
	1	0	1	0	0	0	1	41(2π/64)
	1	0	1	0	0	1	0	42(2π/64)
	1	0	1	0	0	1	1	43(2π/64)
	1	0	1	1	0	0	0	44(2π/64)
	1	0	1	1	0	0	1	45(2π/64)
	1	0	1	1	0	1	0	46(2π/64)
	1	0	1	1	0	1	1	47(2π/64)
	1	1	0	0	0	0	0	48(2π/64)
	1	1	0	0	0	0	1	49(2π/64)
	1	1	0	0	0	1	0	50(2π/64)
	1	1	0	0	0	1	1	51(2π/64)
	1	1	0	1	0	0	0	52(2π/64)
	1	1	0	1	0	0	1	53(2π/64)
	1	1	0	1	0	1	0	54(2π/64)
	1	1	0	1	0	1	1	55(2π/64)
	1	1	1	0	0	0	0	56(2π/64)
	1	1	1	0	0	0	1	57(2π/64)
	1	1	1	0	0	1	0	58(2π/64)
	1	1	1	0	0	1	1	59(2π/64)
	1	1	1	1	0	0	0	60(2π/64)
	1	1	1	1	0	0	1	61(2π/64)
	1	1	1	1	0	1	0	62(2π/64)
	1	1	1	1	0	1	1	63(2π/64)

**Table 26. CDCE18005 Output Coarse Phase Adjust Settings (6)**

Divide Ratio	PHnADGC6	PHnADGC5	PHnADGC4	PHnADGC3	PHnADGC2	PHnADGC1	PHnADGC0	Phase Delay (radian)
	n.12	n.11	n.10	n.9	n.8	n.7	n.6	
70	0	0	0	0	0	0	0	0
	0	0	0	0	0	0	1	(2π/70)
	0	0	0	0	0	1	0	2(2π/70)
	0	0	0	0	0	1	1	3(2π/70)
	0	0	0	0	1	0	0	4(2π/70)
	0	0	0	1	0	0	0	5(2π/70)
	0	0	0	1	0	0	1	6(2π/70)
	0	0	0	1	0	1	0	7(2π/70)
	0	0	0	1	0	1	1	8(2π/70)
	0	0	0	1	1	0	0	9(2π/70)
	0	0	1	0	0	0	0	10(2π/70)
	0	0	1	0	0	0	1	11(2π/70)
	0	0	1	0	0	1	0	12(2π/70)
	0	0	1	0	0	1	1	13(2π/70)
	0	0	1	0	1	0	0	14(2π/70)
	0	0	1	1	0	0	0	15(2π/70)
	0	0	1	1	0	0	1	16(2π/70)
	0	0	1	1	0	1	0	17(2π/70)
	0	0	1	1	0	1	1	18(2π/70)
	0	0	1	1	1	0	0	19(2π/70)
	0	1	0	0	0	0	0	20(2π/70)
	0	1	0	0	0	0	1	21(2π/70)
	0	1	0	0	0	1	0	22(2π/70)
	0	1	0	0	0	1	1	23(2π/70)
	0	1	0	0	1	0	0	24(2π/70)
	0	1	0	1	0	0	0	25(2π/70)
	0	1	0	1	0	0	1	26(2π/70)
	0	1	0	1	0	1	0	27(2π/70)
	0	1	0	1	0	1	1	28(2π/70)
	0	1	0	1	1	0	0	29(2π/70)
	0	1	1	0	0	0	0	30(2π/70)
	0	1	1	0	0	0	1	31(2π/70)
	0	1	1	0	0	1	0	32(2π/70)
	0	1	1	0	0	1	1	33(2π/70)
	0	1	1	0	1	0	0	34(2π/70)
	1	0	0	0	0	0	0	35(2π/70)
	1	0	0	0	0	0	1	36(2π/70)
	1	0	0	0	0	1	0	37(2π/70)
	1	0	0	0	0	1	1	38(2π/70)
	1	0	0	0	1	0	0	39(2π/70)
	1	0	0	1	0	0	0	40(2π/70)
	1	0	0	1	0	0	1	41(2π/70)
	1	0	0	1	0	1	0	42(2π/70)
	1	0	0	1	0	1	1	43(2π/70)
	1	0	0	1	1	0	0	44(2π/70)
	1	0	1	0	0	0	0	45(2π/70)
	1	0	1	0	0	0	1	46(2π/70)
	1	0	1	0	0	1	0	47(2π/70)
	1	0	1	0	0	1	1	48(2π/70)
	1	0	1	0	1	0	0	49(2π/70)
	1	0	1	1	0	0	0	50(2π/70)
	1	0	1	1	0	0	1	51(2π/70)
	1	0	1	1	0	1	0	52(2π/70)
	1	0	1	1	0	1	1	53(2π/70)
	1	0	1	1	1	0	0	54(2π/70)
	1	1	0	0	0	0	0	55(2π/70)
	1	1	0	0	0	0	1	56(2π/70)
	1	1	0	0	0	1	0	57(2π/70)
	1	1	0	0	0	1	1	58(2π/70)
	1	1	0	0	1	0	0	59(2π/70)
	1	1	0	1	0	0	0	60(2π/70)
	1	1	0	1	0	0	1	61(2π/70)
	1	1	0	1	0	1	0	62(2π/70)
	1	1	0	1	0	1	1	63(2π/70)
	1	1	0	1	1	0	0	64(2π/70)
	1	1	1	0	0	0	0	65(2π/70)
	1	1	1	0	0	0	1	66(2π/70)
	1	1	1	0	0	1	0	67(2π/70)
	1	1	1	0	0	1	1	68(2π/70)
	1	1	1	0	1	0	0	69(2π/70)

Divide Ratio	PHnADGC6	PHnADGC5	PHnADGC4	PHnADGC3	PHnADGC2	PHnADGC1	PHnADGC0	Phase Delay (radian)
	n.12	n.11	n.10	n.9	n.8	n.7	n.6	
80	0	0	0	0	0	0	0	0
	0	0	0	0	0	0	1	(2π/80)
	0	0	0	0	0	1	0	2(2π/80)
	0	0	0	0	0	1	1	3(2π/80)
	0	0	0	0	1	0	0	4(2π/80)
	0	0	0	1	0	0	0	5(2π/80)
	0	0	0	1	0	0	1	6(2π/80)
	0	0	0	1	0	1	0	7(2π/80)
	0	0	0	1	0	1	1	8(2π/80)
	0	0	0	1	1	0	0	9(2π/80)
	0	0	1	0	0	0	0	10(2π/80)
	0	0	1	0	0	0	1	11(2π/80)
	0	0	1	0	0	1	0	12(2π/80)
	0	0	1	0	0	1	1	13(2π/80)
	0	0	1	0	1	0	0	14(2π/80)
	0	0	1	1	0	0	0	15(2π/80)
	0	0	1	1	0	0	1	16(2π/80)
	0	0	1	1	0	1	0	17(2π/80)
	0	0	1	1	0	1	1	18(2π/80)
	0	0	1	1	1	0	0	19(2π/80)
	0	1	0	0	0	0	0	20(2π/80)
	0	1	0	0	0	0	1	21(2π/80)
	0	1	0	0	0	1	0	22(2π/80)
	0	1	0	0	0	1	1	23(2π/80)
	0	1	0	0	1	0	0	24(2π/80)
	0	1	0	1	0	0	0	25(2π/80)
	0	1	0	1	0	0	1	26(2π/80)
	0	1	0	1	0	1	0	27(2π/80)
	0	1	0	1	0	1	1	28(2π/80)
	0	1	0	1	1	0	0	29(2π/80)
	0	1	1	0	0	0	0	30(2π/80)
	0	1	1	0	0	0	1	31(2π/80)
	0	1	1	0	0	1	0	32(2π/80)
	0	1	1	0	0	1	1	33(2π/80)
	0	1	1	0	1	0	0	34(2π/80)
	0	1	1	1	0	0	0	35(2π/80)
	0	1	1	1	0	0	1	36(2π/80)
	0	1	1	1	0	1	0	37(2π/80)
	0	1	1	1	0	1	1	38(2π/80)
	0	1	1	1	1	0	0	39(2π/80)
	1	0	0	0	0	0	0	40(2π/80)
	1	0	0	0	0	0	1	41(2π/80)
	1	0	0	0	0	1	0	42(2π/80)
	1	0	0	0	0	1	1	43(2π/80)
	1	0	0	0	1	0	0	44(2π/80)
	1	0	0	1	0	0	0	45(2π/80)
	1	0	0	1	0	0	1	46(2π/80)
	1	0	0	1	0	1	0	47(2π/80)
	1	0	0	1	0	1	1	48(2π/80)
	1	0	0	1	1	0	0	49(2π/80)
	1	0	1	0	0	0	0	50(2π/80)
	1	0	1	0	0	0	1	51(2π/80)
	1	0	1	0	0	1	0	52(2π/80)
	1	0	1	0	0	1	1	53(2π/80)
	1	0	1	0	1	0	0	54(2π/80)
	1	0	1	1	0	0	0	55(2π/80)
	1	0	1	1	0	0	1	56(2π/80)
	1	0	1	1	0	1	0	57(2π/80)
	1	0	1	1	0	1	1	58(2π/80)
	1	0	1	1	1	0	0	59(2π/80)
	1	1	0	0	0	0	0	60(2π/80)
	1	1	0	0	0	0	1	61(2π/80)
	1	1	0	0	0	1	0	62(2π/80)
	1	1	0	0	0	1	1	63(2π/80)
	1	1	0	0	1	0	0	64(2π/80)
	1	1	0	1	0	0	0	65(2π/80)
	1	1	0	1	0	0	1	66(2π/80)
	1	1	0	1	0	1	0	67(2π/80)
	1	1	0	1	0	1	1	68(2π/80)
	1	1	0	1	1	0	0	69(2π/80)
	1	1	1	0	0	0	0	70(2π/80)
	1	1	1	0	0	0	1	71(2π/80)
	1	1	1	0	0	1	0	72(2π/80)
	1	1	1	0	0	1	1	73(2π/80)
	1	1	1	0	1	0	0	74(2π/80)
	1	1	1	1	0	0	0	75(2π/80)
	1	1	1	1	0	0	1	76(2π/80)
	1	1	1	1	0	1	0	77(2π/80)
	1	1	1	1	0	1	1	78(2π/80)
	1	1	1	1	1	0	0	79(2π/80)

## Crystal Input Interface

Fundamental mode is the recommended oscillation mode of operation for the input crystal and parallel resonance is the recommended type of circuit for the crystal.

A crystal load capacitance refers to all capacitances in the oscillator feedback loop. It is equal to the amount of capacitance seen between the terminals of the crystal in the circuit. For parallel resonant mode circuits, the correct load capacitance is necessary to ensure the oscillation of the crystal within the expected parameters.

The CDCE18005 implements an input crystal oscillator circuitry, known as the Colpitts oscillator, and requires one pad of the crystal to interface with the AUX\_IN pin; the other pad of the crystal is tied to ground. In this crystal interface, it is important to account for all sources of capacitance when calculating the correct value for the discrete capacitor component,  $C_L$ , for a design.

The CDCE18005 has been characterized with 10-pF parallel resonant crystals. The input crystal oscillator stage in the CDCE18005 is designed to oscillate at the correct frequency for all parallel resonant crystals with low-pull capability and rated with a load capacitance that is equal to the sum of the on-chip load capacitance at the AUX\_IN pin (10-pF), crystal stray capacitance, and board parasitic capacitance between the crystal and AUX\_IN pin.

The normalized frequency error of the crystal, as a result of load capacitance mismatch, can be calculated as [Equation 4](#):

$$\frac{\Delta f}{f} = \frac{C_S}{2(C_{L,R} + C_O)} - \frac{C_S}{2(C_{L,A} + C_O)} \quad (4)$$

Where:

- $C_S$  is the motional capacitance of the crystal
- $C_O$  is the shunt capacitance of the crystal
- $C_{L,R}$  is the rated load capacitance for the crystal
- $C_{L,A}$  is the actual load capacitance in the implemented PCB for the crystal
- $\Delta f$  is the frequency error of the crystal
- $f$  is the rated frequency of the crystal

The first three parameters can be obtained from the crystal vendor.

In order to minimize the frequency error of the crystal to meet application requirements, the difference between the rated load capacitance and the actual load capacitance should be minimized and a crystal with low-pull capability (low  $C_S$ ) should be used.

For example, if an application requires less than  $\pm 50$  ppm frequency error and a crystal with less than  $\pm 50$  ppm frequency tolerance is picked, the characteristics are as follows:  $C_O = 7$  pF,  $C_S = 10$  pF, and  $C_{L,R} = 12$  pF. In order to meet the required frequency error, calculate  $C_{L,A}$  using [Equation 2](#) to be 17 pF. Subtracting  $C_{L,R}$  from  $C_{L,A}$ , results in 5 pF; care must be taken during printed circuit board (PCB) layout with the crystal and the CDCE18005 to ensure that the sum of the crystal stray capacitance and board parasitic capacitance is less than the calculated 5 pF. Good layout practices are fundamental to the correct operation and reliability of the oscillator. It is critical to locate the crystal components very close to the XIN pin to minimize routing distances. Long traces in the oscillator circuit are a common source of problems. Do not route other signals across the oscillator circuit. Also, make sure power and high-frequency traces are routed as far away as possible to avoid crosstalk and noise coupling. Avoid the use of vias; if the routing becomes very complex, it is better to use 0- $\Omega$  resistors as bridges to go over other signals. Vias in the oscillator circuit should only be used for connections to the ground plane. Do not share ground connections; instead, make a separate connection to ground for each component that requires grounding. If possible, place multiple vias in parallel for each connection to the ground plane. Especially in the Colpitts oscillator configuration, the oscillator is very sensitive to capacitance in parallel with the crystal. Therefore, the layout must be designed to minimize stray capacitance across the crystal to less than 5 pF total under all circumstances to ensure proper crystal oscillation. Be sure to take into account both PCB and crystal stray capacitance.

## Auxiliary Output

[Figure 26](#) shows the auxiliary output port. [Table 27](#) lists how the auxiliary output port is controlled. The output buffer supports a maximum output frequency of 250 MHz and drives at LVCMOS levels. See [Table 20](#) for the list of divider settings that establishes the output frequency.

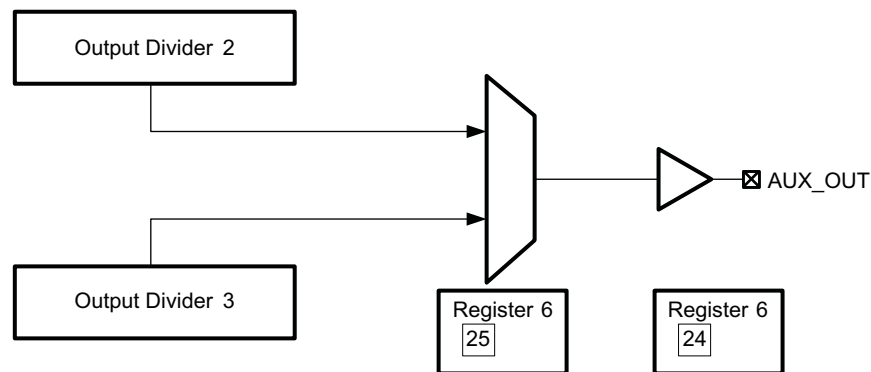


Figure 26. CDCE18005 Auxiliary Output

Table 27. CDCE18005 Auxiliary Output Settings

Bit Name → Register.Bit →	AUXFEEDSEL	AUXOUTEN	AUX_OUT SOURCE
	6.25	6.24	
	X	0	OFF
	0	1	Divider 2
	1	1	Divider 3

## DEVICE POWER CALCULATION AND THERMAL MANAGEMENT

The CDCE18005 is a high performance device, therefore careful attention must be paid to device configuration and printed circuit board layout with respect to power consumption. Table 28 provides the power consumption for the individual blocks within the CDCE18005. To estimate total power consumption, calculate the sum of the products of the number of blocks used and the power dissipated of each corresponding block.

Provide Sample Calculation Here after numbers become available.

Table 28. CDCE18005 Power Consumption

Internal Block Power at 3.3V (typ)		Power Dissipated per Block	Number of Blocks
Input and Control Circuit		450 mW	1
Output Dividers	Divider = 1	60 mW	5
	Divider > 1	140 mW	5
LVPECL Output Buffer		75 mW <sup>(1)</sup>	5
LVDS Output Buffer		76 mW	5
LVCMOS Output Buffer	Static	7 mW	10
	Transient, 'C <sub>L</sub> ' load, 'f <sub>OUT</sub> ' MHz output frequency, 'V' output swing	$3.3 \times V \times f_{OUT} \times (C_L + 20 \times 10^{-12}) \times 10^3$	10

(1) Approximately 50 mW power dissipates externally at termination resistors per LVPECL output pair.

This power estimate determines the degree of thermal management required for a specific design. Employing the thermally enhanced printed circuit board layout shown in Figure 28 insures that the thermal performance curves shown in Figure 27 apply. Observing good thermal layout practices enables the thermal pad on the backside of the QFN-48 package to provide a good thermal path between the die contained within the package and the ambient air. This thermal pad also serves as the ground connection the device; therefore, a low inductance connection to the ground plane is essential.

Figure 28 shows a layout optimized for good thermal performance and a good power supply connection as well. The 7x7 filled via patten facilitates both considerations. Finally, the recommended layout achieves  $\theta_{JA} = 27.3^\circ\text{C/W}$  in still air and  $20.3^\circ\text{C/W}$  in an environment with 100 LFM airflow if implemented on a JEDEC compliant thermal test board.

CDCE18005

SCAS863B –NOVEMBER 2008 –REVISED NOVEMBER 2012

www.ti.com

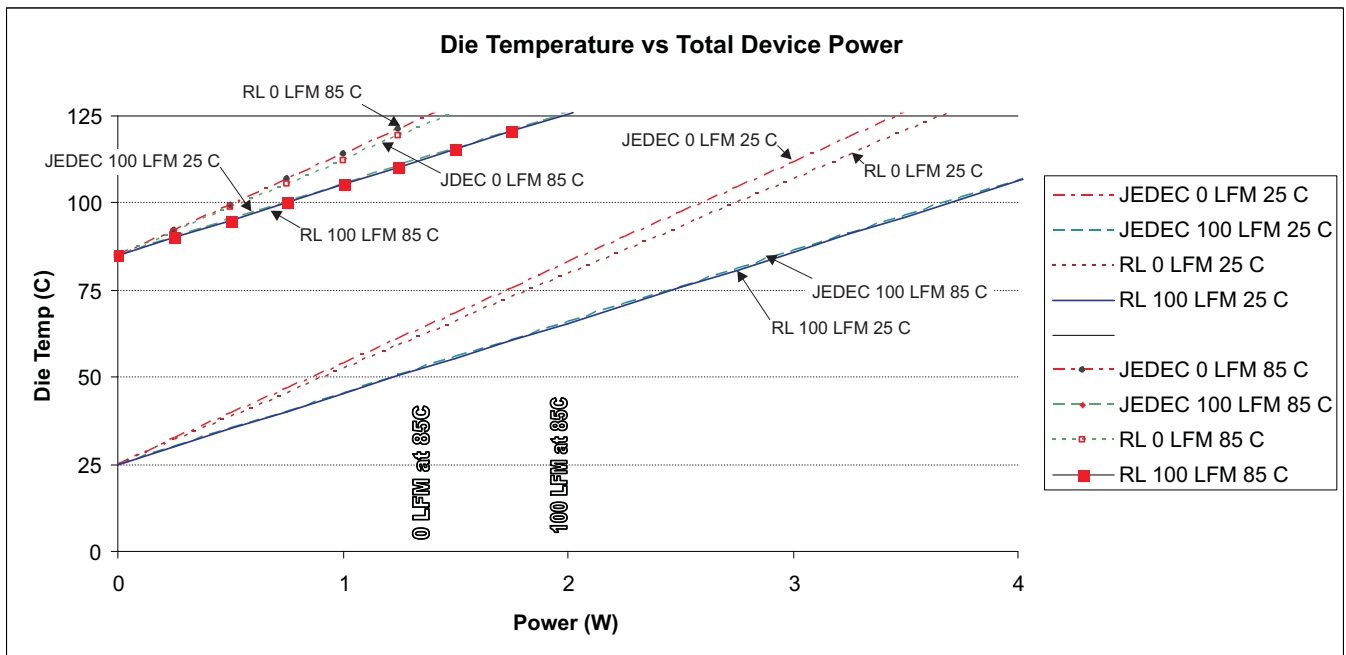


Figure 27. CDCE18005 Die Temperature vs Device Power

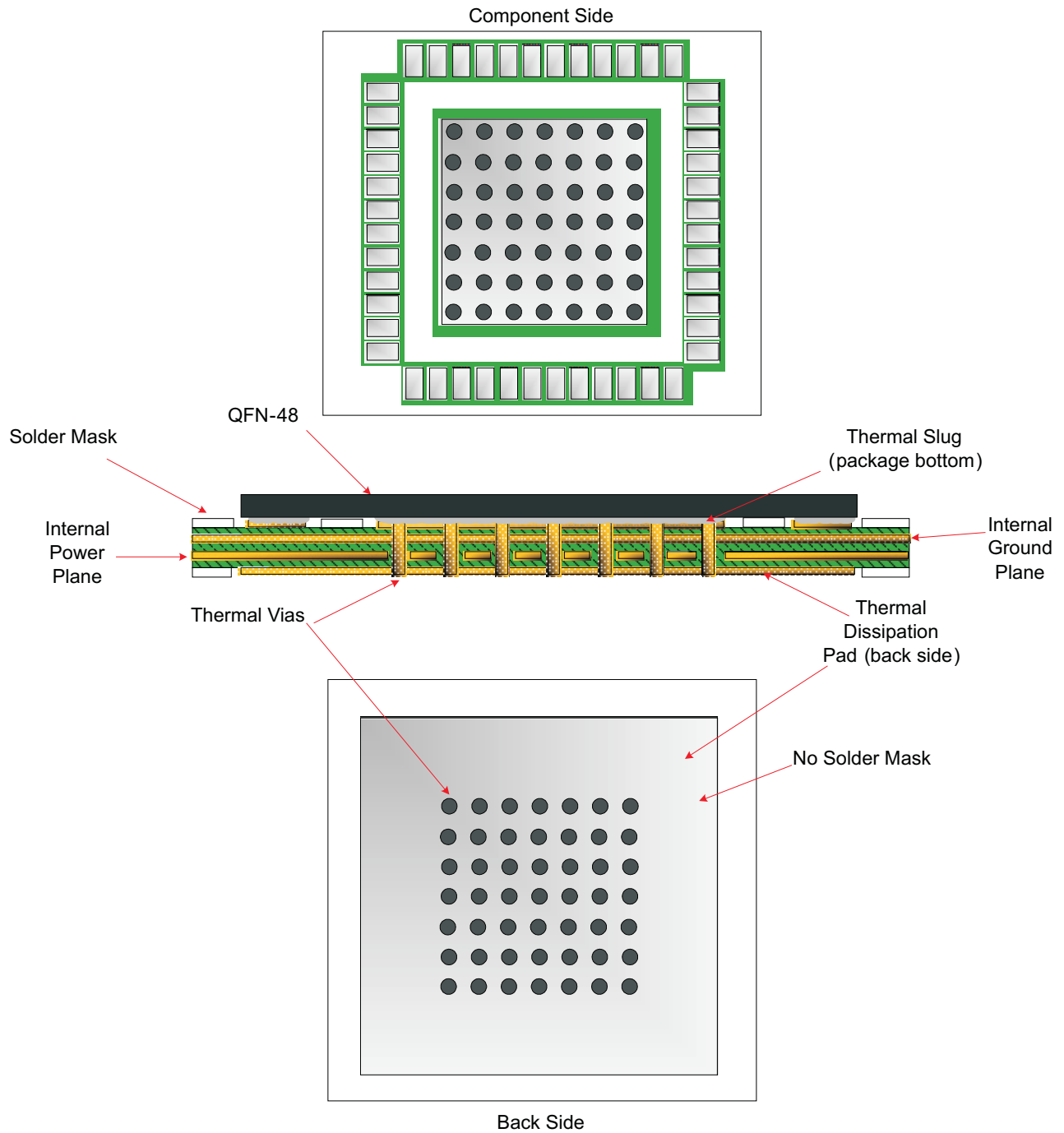


Figure 28. CDCE18005 Recommended PCB Layout

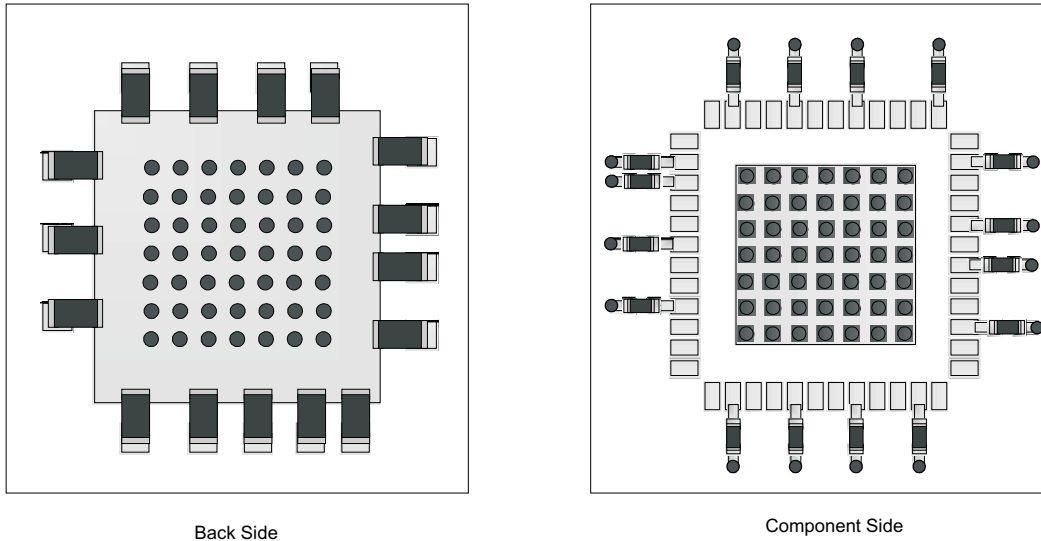
## CDCE18005

SCAS863B –NOVEMBER 2008 –REVISED NOVEMBER 2012

[www.ti.com](http://www.ti.com)

### CDCE18005 Power Supply Bypassing – Recommended Layout

Figure 29 shows two conceptual layouts detailing recommended placement of power supply bypass capacitors. If the capacitors are mounted on the back side, 0402 components can be employed; however, soldering to the Thermal Dissipation Pad can be difficult. For component side mounting, use 0201 body size capacitors to facilitate signal routing. Keep the connections between the bypass capacitors and the power supply on the device as short as possible.



**Figure 29. CDCE18005 Power Supply Bypassing**



## APPLICATION INFORMATION AND GENERAL USAGE HINTS

### Fan-out Buffer

Each output of the CDCE18005 can be configured as a fan-out buffer (divider bypassed) or fan-out buffer with divide and skew control functionality.

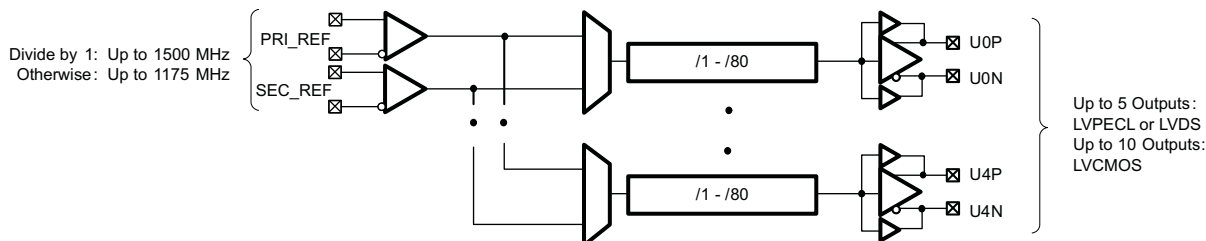


Figure 30. CDCE18005 Fan-out Buffer Mode

### Clock Buffer with Crystal Input

The CDCE18005 can distribute 5–10 low noise clocks from a single crystal as follows:

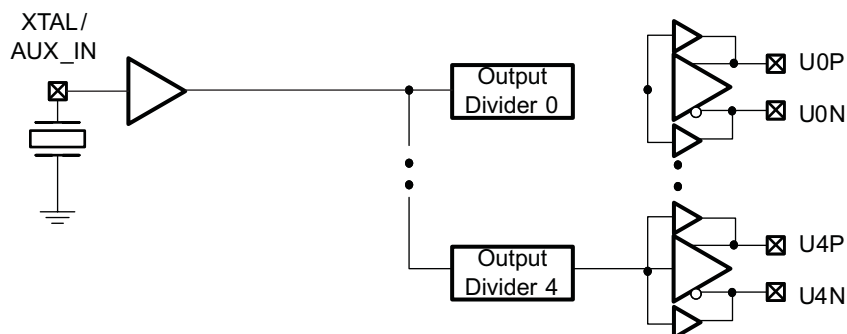


Figure 31. CDCE18005 Clock Generator Mode

### Clock Distribution – Mixed Mode

The following table presents a common scenario where the CDCE18005 can function as a clock switch that accepts LVDS and crystal inputs and drives LVDS, LVPECL and LVCMOS outputs.

CLOCK FREQUENCY	INPUT/OUTPUT	FORMAT	NUMBER	CDCE18005 PORT	COMMENT
491.52 MHz	Input	LVDS	1	SEC_IN	Reference
125 MHz	Input	LVDS	1	PRI_IN	Reference from backplane
10 MHz	Input	AT-Cut	1	AUX_IN	Low end crystal oscillator
122.88 MHz	Output	LVDS	1	U0	SerDes Clock
491.52 MHz	Output	LVPECL	1	U1	ASIC
125 MHz	Output	LVPECL	1	U2	FPGA
30.72 MHz	Outputs	LVCMOS	2	U3	ASIC
10 MHz	Outputs	LVCMOS	2	U4	CPU, DSP

CDCE18005

SCAS863B –NOVEMBER 2008 –REVISED NOVEMBER 2012

www.ti.com

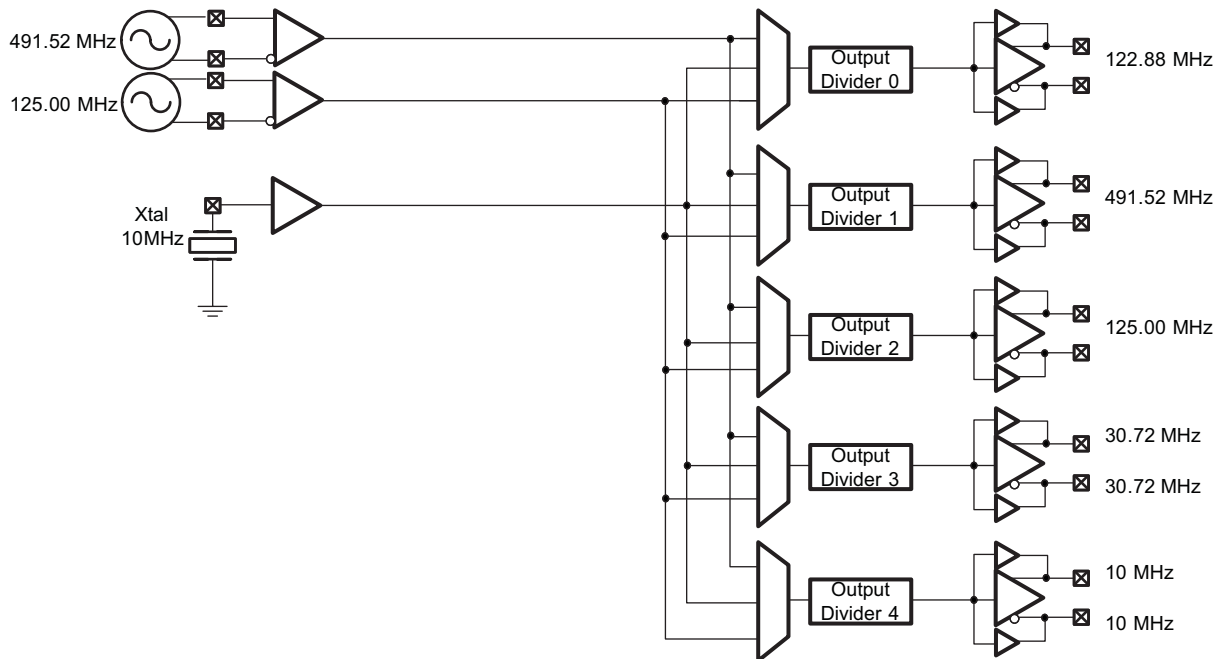


Figure 32. CDCE18005 Mixed Mode Clock Distribution Example

## REVISION HISTORY

Changes from Original (November 2008) to Revision A	Page
• Changed Title From: Five/Ten Output Clock Generator/Buffer To: Five/Ten Output Clock Programmable/Buffer .....	1
• Changed Flexible Inputs in the Features list .....	1
• Deleted Integrated EEPROM item from Features list .....	1
• Added the Pin Out drawing and updated the Pin Functions table .....	2
• Added note (1) to the Pin Functions table .....	3
• Added under bar in Pin Names (43, 13, 45, 46, 3 and 2) and deleted space .....	3
• Changed PRI_IN To PRI_REF and SEC_IN to SEC_REF in images and text throughout the data sheet .....	4
• Changed the ELECTRICAL CHARACTERISTICS OPERATING CONDITIONS table .....	9
• Changed the TIMING REQUIREMENTS table .....	14
• Changed From: Jitter RMS 10k≈5MHz To: Jitter RMS 10k–20MH in <a href="#">Table 1</a> .....	14
• Deleted the Reference 25.00 MHz column from <a href="#">Table 2</a> and changed Jitter RMS From: 10k≈20 Mhz To: 10k–5MHz. ...	14
• Deleted the SPI Control Interface Timing section .....	14
• Deleted Figure CDCE18005 Interface and Control block illustration .....	15
• Deleted Figure CDCE18005 SPI Communications Format .....	15
• Added new section SPI Interface Master .....	16
• Deleted the last row of the Register Default Setting table - (REG0008 (RAM)) .....	19
• Deleted the first four rows of <a href="#">Table 5</a> through <a href="#">Table 13</a> - Bit Names A0, A1, A2, and A3. Added a note to <a href="#">Table 5</a> through <a href="#">Table 9</a> .....	20
• Changed <a href="#">Table 12</a> RAM BIT 26 From: Read only; always reads "1" .....	27
• Changed <a href="#">Table 12</a> RAM BIT 27 From: EEPROM Status .....	27
• Added note to <a href="#">Table 13</a> .....	28
• Changed <a href="#">Table 14</a> - Output Buffer coulmn From: Disabled or Enabled To: Hi-Z or From: Enable or Disabled To: Hi-Z ....	29
• Added <a href="#">Table 20</a> - CDCE18005 Output Divider Settings .....	35
• Changed <a href="#">Figure 25</a> Clock IN label From: Clock IN (from SMART_MUX) .....	36
• Changed <a href="#">Equation 3</a> .....	36
• Added new section - Crystal Input Interface .....	44
• Changed <a href="#">Table 28</a> .....	45
<hr/>	
Changes from Revision A (June 2011) to Revision B	Page
• Changed pin 2 From: SEC_REF+ To SEC_REF- and pin 3 From SEC_REF- To: SEC_REF+ .....	2

**PACKAGING INFORMATION**

Orderable Device	Status (1)	Package Type	Package Drawing	Pins	Package Qty	Eco Plan (2)	Lead/Ball Finish	MSL Peak Temp (3)	Samples (Requires Login)
CDCE18005RGZR	ACTIVE	VQFN	RGZ	48	2500	Green (RoHS & no Sb/Br)	CU NIPDAU	Level-3-260C-168 HR	
CDCE18005RGZT	ACTIVE	VQFN	RGZ	48	250	Green (RoHS & no Sb/Br)	CU NIPDAU	Level-3-260C-168 HR	

(1) The marketing status values are defined as follows:

**ACTIVE:** Product device recommended for new designs.

**LIFEBUY:** TI has announced that the device will be discontinued, and a lifetime-buy period is in effect.

**NRND:** Not recommended for new designs. Device is in production to support existing customers, but TI does not recommend using this part in a new design.

**PREVIEW:** Device has been announced but is not in production. Samples may or may not be available.

**OBSOLETE:** TI has discontinued the production of the device.

(2) Eco Plan - The planned eco-friendly classification: Pb-Free (RoHS), Pb-Free (RoHS Exempt), or Green (RoHS & no Sb/Br) - please check <http://www.ti.com/productcontent> for the latest availability information and additional product content details.

**TBD:** The Pb-Free/Green conversion plan has not been defined.

**Pb-Free (RoHS):** TI's terms "Lead-Free" or "Pb-Free" mean semiconductor products that are compatible with the current RoHS requirements for all 6 substances, including the requirement that lead not exceed 0.1% by weight in homogeneous materials. Where designed to be soldered at high temperatures, TI Pb-Free products are suitable for use in specified lead-free processes.

**Pb-Free (RoHS Exempt):** This component has a RoHS exemption for either 1) lead-based flip-chip solder bumps used between the die and package, or 2) lead-based die adhesive used between the die and leadframe. The component is otherwise considered Pb-Free (RoHS compatible) as defined above.

**Green (RoHS & no Sb/Br):** TI defines "Green" to mean Pb-Free (RoHS compatible), and free of Bromine (Br) and Antimony (Sb) based flame retardants (Br or Sb do not exceed 0.1% by weight in homogeneous material)

(3) MSL, Peak Temp. -- The Moisture Sensitivity Level rating according to the JEDEC industry standard classifications, and peak solder temperature.

**Important Information and Disclaimer:** The information provided on this page represents TI's knowledge and belief as of the date that it is provided. TI bases its knowledge and belief on information provided by third parties, and makes no representation or warranty as to the accuracy of such information. Efforts are underway to better integrate information from third parties. TI has taken and continues to take reasonable steps to provide representative and accurate information but may not have conducted destructive testing or chemical analysis on incoming materials and chemicals. TI and TI suppliers consider certain information to be proprietary, and thus CAS numbers and other limited information may not be available for release.

In no event shall TI's liability arising out of such information exceed the total purchase price of the TI part(s) at issue in this document sold by TI to Customer on an annual basis.

**TAPE AND REEL INFORMATION**

**QUADRANT ASSIGNMENTS FOR PIN 1 ORIENTATION IN TAPE**


\*All dimensions are nominal

Device	Package Type	Package Drawing	Pins	SPQ	Reel Diameter (mm)	Reel Width W1 (mm)	A0 (mm)	B0 (mm)	K0 (mm)	P1 (mm)	W (mm)	Pin1 Quadrant
CDCE18005RGZR	VQFN	RGZ	48	2500	330.0	16.4	7.3	7.3	1.5	12.0	16.0	Q2

**TAPE AND REEL BOX DIMENSIONS**

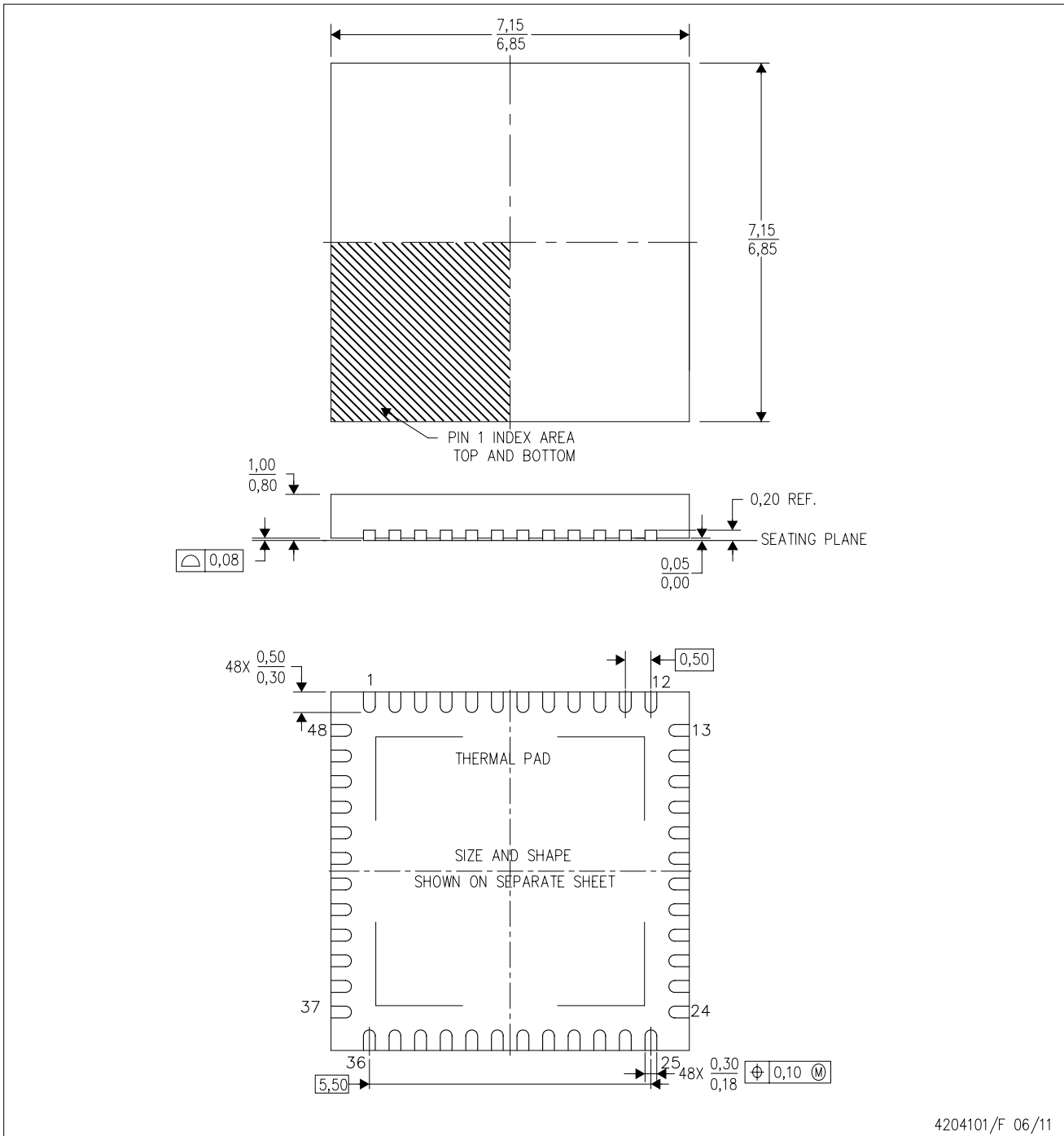


\*All dimensions are nominal

Device	Package Type	Package Drawing	Pins	SPQ	Length (mm)	Width (mm)	Height (mm)
CDCE18005RGZR	VQFN	RGZ	48	2500	336.6	336.6	28.6

RGZ (S-PVQFN-N48)

PLASTIC QUAD FLATPACK NO-LEAD



4204101/F 06/11

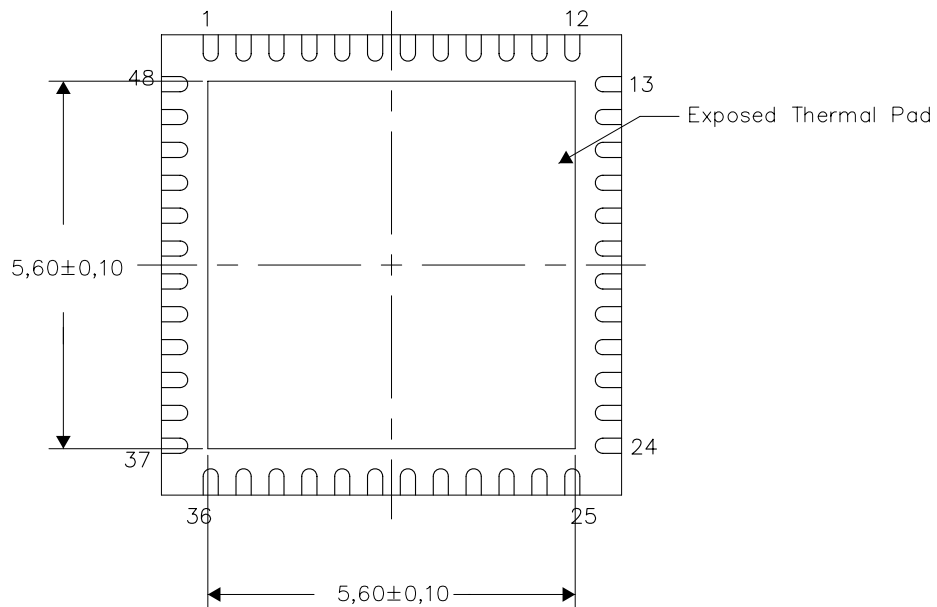
- NOTES:
- A. All linear dimensions are in millimeters. Dimensioning and tolerancing per ASME Y14.5M-1994.
  - B. This drawing is subject to change without notice.
  - C. Quad Flatpack, No-leads (QFN) package configuration.
  - D. The package thermal pad must be soldered to the board for thermal and mechanical performance.
  - E. See the additional figure in the Product Data Sheet for details regarding the exposed thermal pad features and dimensions.
  - F. Falls within JEDEC MO-220.

## THERMAL INFORMATION

This package incorporates an exposed thermal pad that is designed to be attached directly to an external heatsink. The thermal pad must be soldered directly to the printed circuit board (PCB). After soldering, the PCB can be used as a heatsink. In addition, through the use of thermal vias, the thermal pad can be attached directly to the appropriate copper plane shown in the electrical schematic for the device, or alternatively, can be attached to a special heatsink structure designed into the PCB. This design optimizes the heat transfer from the integrated circuit (IC).

For information on the Quad Flatpack No-Lead (QFN) package and its advantages, refer to Application Report, QFN/SON PCB Attachment, Texas Instruments Literature No. SLUA271. This document is available at [www.ti.com](http://www.ti.com).

The exposed thermal pad dimensions for this package are shown in the following illustration.



Bottom View

Exposed Thermal Pad Dimensions

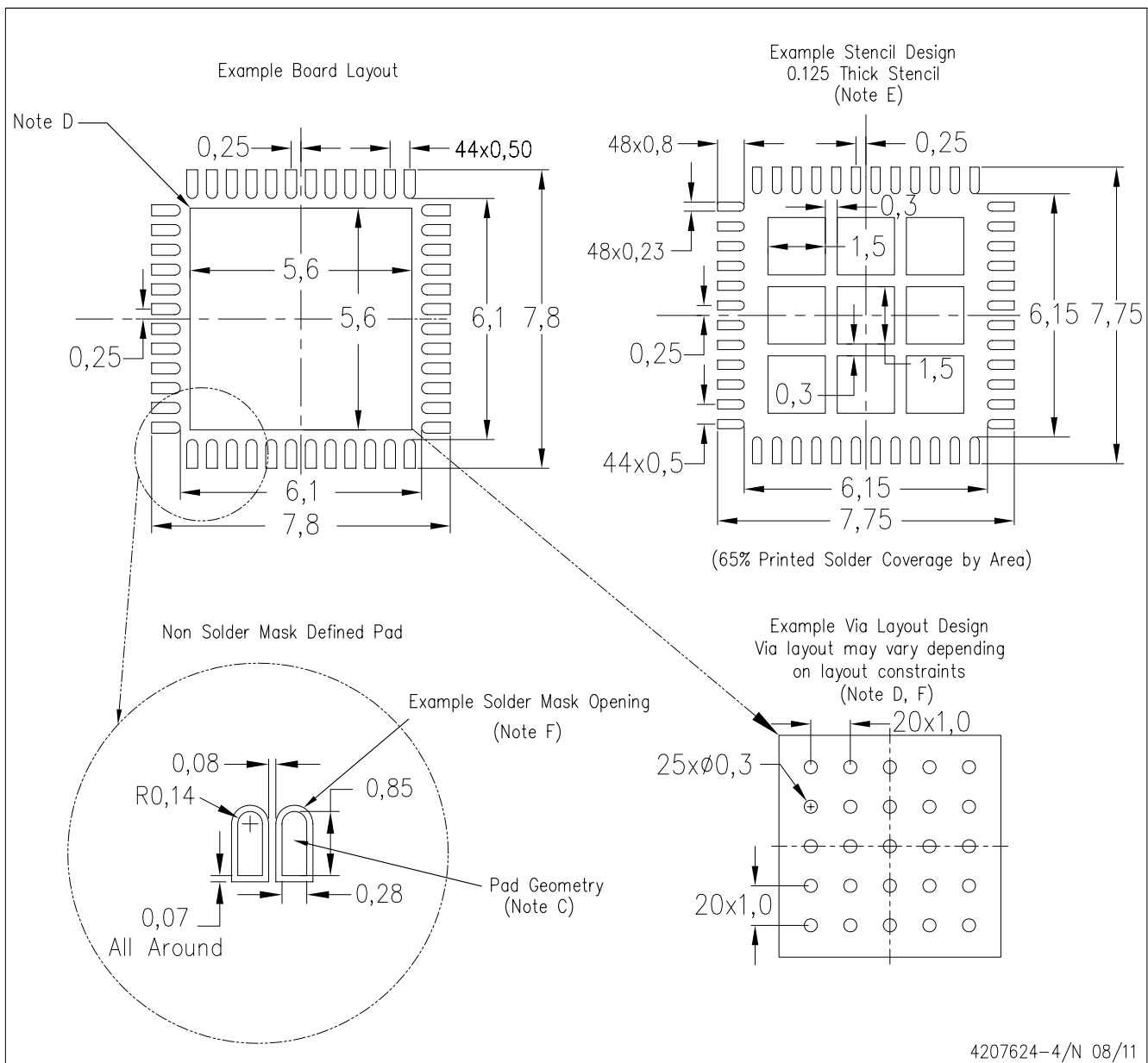
4206354-5/R 08/11

NOTE: All linear dimensions are in millimeters



RGZ (S-PVQFN-N48)

PLASTIC QUAD FLATPACK NO-LEAD



- NOTES:
- All linear dimensions are in millimeters.
  - This drawing is subject to change without notice.
  - Publication IPC-7351 is recommended for alternate designs.
  - This package is designed to be soldered to a thermal pad on the board. Refer to Application Note, Quad Flat-Pack Packages, Texas Instruments Literature No. SLUA271, and also the Product Data Sheets for specific thermal information, via requirements, and recommended board layout. These documents are available at [www.ti.com](http://www.ti.com) <<http://www.ti.com>>.
  - Laser cutting apertures with trapezoidal walls and also rounding corners will offer better paste release. Customers should contact their board assembly site for stencil design recommendations. Refer to IPC 7525 for stencil design considerations.
  - Customers should contact their board fabrication site for recommended solder mask tolerances and via tenting recommendations for vias placed in the thermal pad.

## IMPORTANT NOTICE

Texas Instruments Incorporated and its subsidiaries (TI) reserve the right to make corrections, enhancements, improvements and other changes to its semiconductor products and services per JESD46, latest issue, and to discontinue any product or service per JESD48, latest issue. Buyers should obtain the latest relevant information before placing orders and should verify that such information is current and complete. All semiconductor products (also referred to herein as "components") are sold subject to TI's terms and conditions of sale supplied at the time of order acknowledgment.

TI warrants performance of its components to the specifications applicable at the time of sale, in accordance with the warranty in TI's terms and conditions of sale of semiconductor products. Testing and other quality control techniques are used to the extent TI deems necessary to support this warranty. Except where mandated by applicable law, testing of all parameters of each component is not necessarily performed.

TI assumes no liability for applications assistance or the design of Buyers' products. Buyers are responsible for their products and applications using TI components. To minimize the risks associated with Buyers' products and applications, Buyers should provide adequate design and operating safeguards.

TI does not warrant or represent that any license, either express or implied, is granted under any patent right, copyright, mask work right, or other intellectual property right relating to any combination, machine, or process in which TI components or services are used. Information published by TI regarding third-party products or services does not constitute a license to use such products or services or a warranty or endorsement thereof. Use of such information may require a license from a third party under the patents or other intellectual property of the third party, or a license from TI under the patents or other intellectual property of TI.

Reproduction of significant portions of TI information in TI data books or data sheets is permissible only if reproduction is without alteration and is accompanied by all associated warranties, conditions, limitations, and notices. TI is not responsible or liable for such altered documentation. Information of third parties may be subject to additional restrictions.

Resale of TI components or services with statements different from or beyond the parameters stated by TI for that component or service voids all express and any implied warranties for the associated TI component or service and is an unfair and deceptive business practice. TI is not responsible or liable for any such statements.

Buyer acknowledges and agrees that it is solely responsible for compliance with all legal, regulatory and safety-related requirements concerning its products, and any use of TI components in its applications, notwithstanding any applications-related information or support that may be provided by TI. Buyer represents and agrees that it has all the necessary expertise to create and implement safeguards which anticipate dangerous consequences of failures, monitor failures and their consequences, lessen the likelihood of failures that might cause harm and take appropriate remedial actions. Buyer will fully indemnify TI and its representatives against any damages arising out of the use of any TI components in safety-critical applications.

In some cases, TI components may be promoted specifically to facilitate safety-related applications. With such components, TI's goal is to help enable customers to design and create their own end-product solutions that meet applicable functional safety standards and requirements. Nonetheless, such components are subject to these terms.

No TI components are authorized for use in FDA Class III (or similar life-critical medical equipment) unless authorized officers of the parties have executed a special agreement specifically governing such use.

Only those TI components which TI has specifically designated as military grade or "enhanced plastic" are designed and intended for use in military/aerospace applications or environments. Buyer acknowledges and agrees that any military or aerospace use of TI components which have **not** been so designated is solely at the Buyer's risk, and that Buyer is solely responsible for compliance with all legal and regulatory requirements in connection with such use.

TI has specifically designated certain components as meeting ISO/TS16949 requirements, mainly for automotive use. In any case of use of non-designated products, TI will not be responsible for any failure to meet ISO/TS16949.

### Products

Audio	<a href="http://www.ti.com/audio">www.ti.com/audio</a>
Amplifiers	<a href="http://amplifier.ti.com">amplifier.ti.com</a>
Data Converters	<a href="http://dataconverter.ti.com">dataconverter.ti.com</a>
DLP® Products	<a href="http://www.dlp.com">www.dlp.com</a>
DSP	<a href="http://dsp.ti.com">dsp.ti.com</a>
Clocks and Timers	<a href="http://www.ti.com/clocks">www.ti.com/clocks</a>
Interface	<a href="http://interface.ti.com">interface.ti.com</a>
Logic	<a href="http://logic.ti.com">logic.ti.com</a>
Power Mgmt	<a href="http://power.ti.com">power.ti.com</a>
Microcontrollers	<a href="http://microcontroller.ti.com">microcontroller.ti.com</a>
RFID	<a href="http://www.ti-rfid.com">www.ti-rfid.com</a>
OMAP Applications Processors	<a href="http://www.ti.com/omap">www.ti.com/omap</a>
Wireless Connectivity	<a href="http://www.ti.com/wirelessconnectivity">www.ti.com/wirelessconnectivity</a>

### Applications

Automotive and Transportation	<a href="http://www.ti.com/automotive">www.ti.com/automotive</a>
Communications and Telecom	<a href="http://www.ti.com/communications">www.ti.com/communications</a>
Computers and Peripherals	<a href="http://www.ti.com/computers">www.ti.com/computers</a>
Consumer Electronics	<a href="http://www.ti.com/consumer-apps">www.ti.com/consumer-apps</a>
Energy and Lighting	<a href="http://www.ti.com/energy">www.ti.com/energy</a>
Industrial	<a href="http://www.ti.com/industrial">www.ti.com/industrial</a>
Medical	<a href="http://www.ti.com/medical">www.ti.com/medical</a>
Security	<a href="http://www.ti.com/security">www.ti.com/security</a>
Space, Avionics and Defense	<a href="http://www.ti.com/space-avionics-defense">www.ti.com/space-avionics-defense</a>
Video and Imaging	<a href="http://www.ti.com/video">www.ti.com/video</a>

### TI E2E Community

[e2e.ti.com](http://e2e.ti.com)